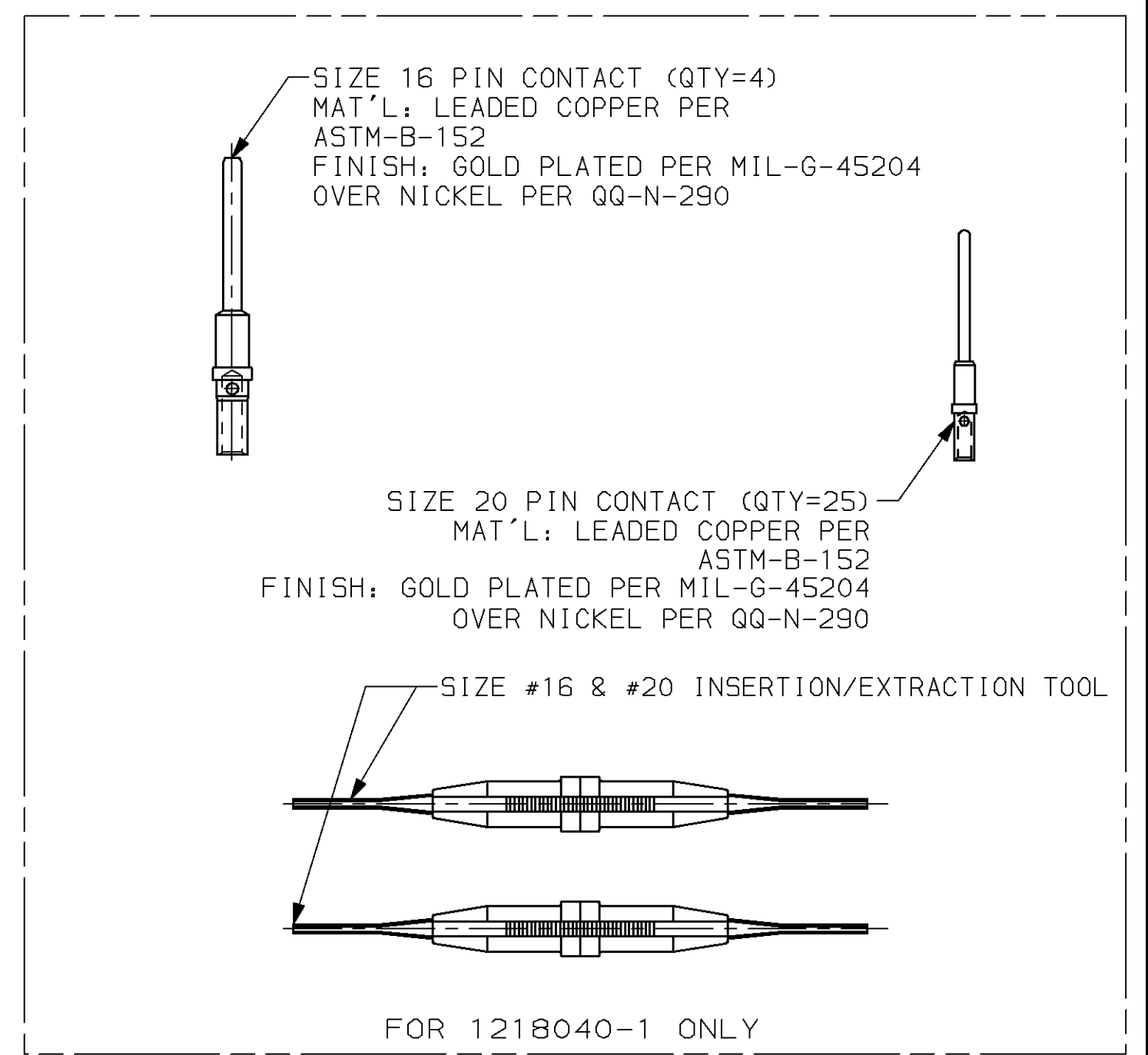
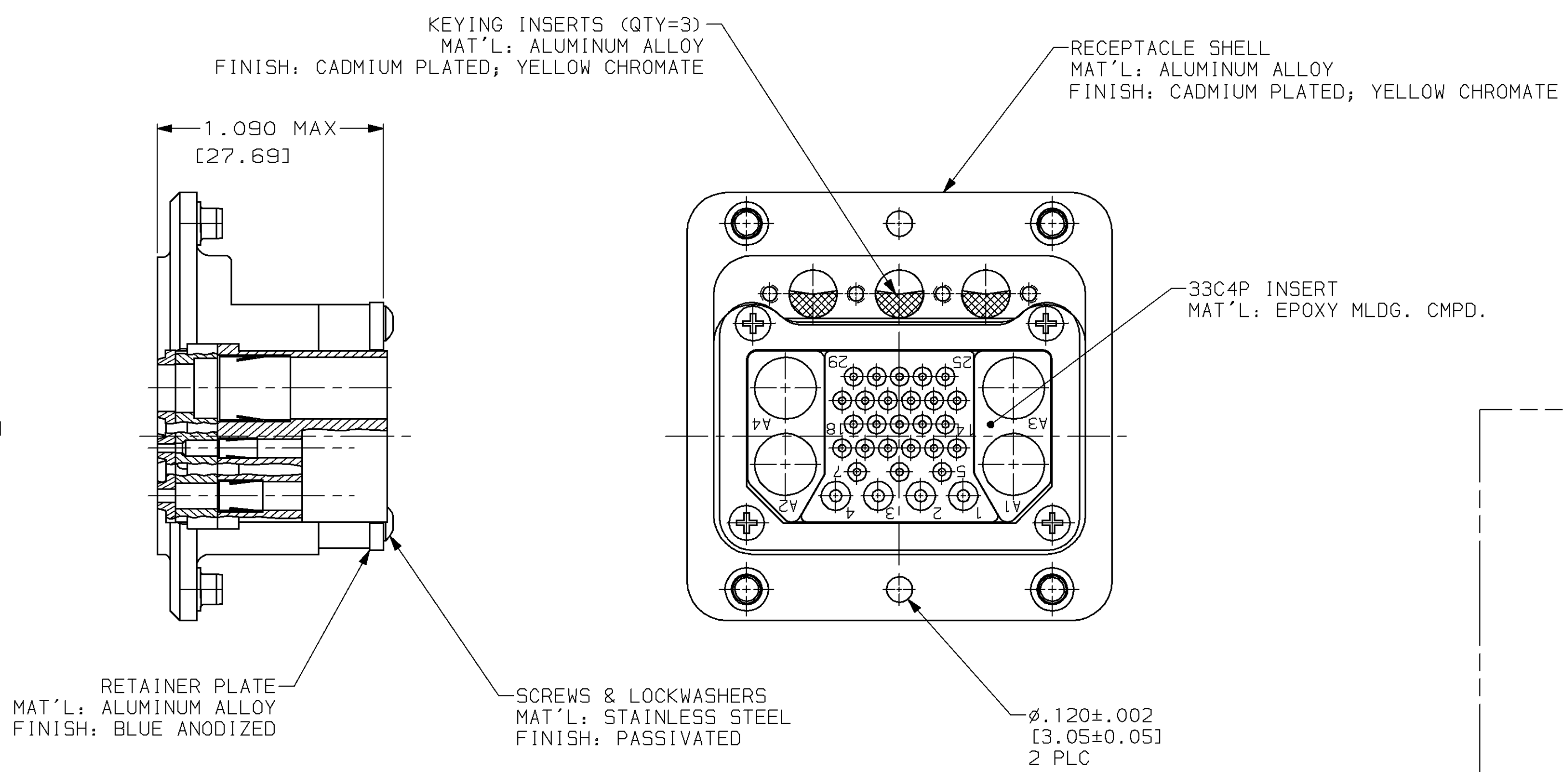
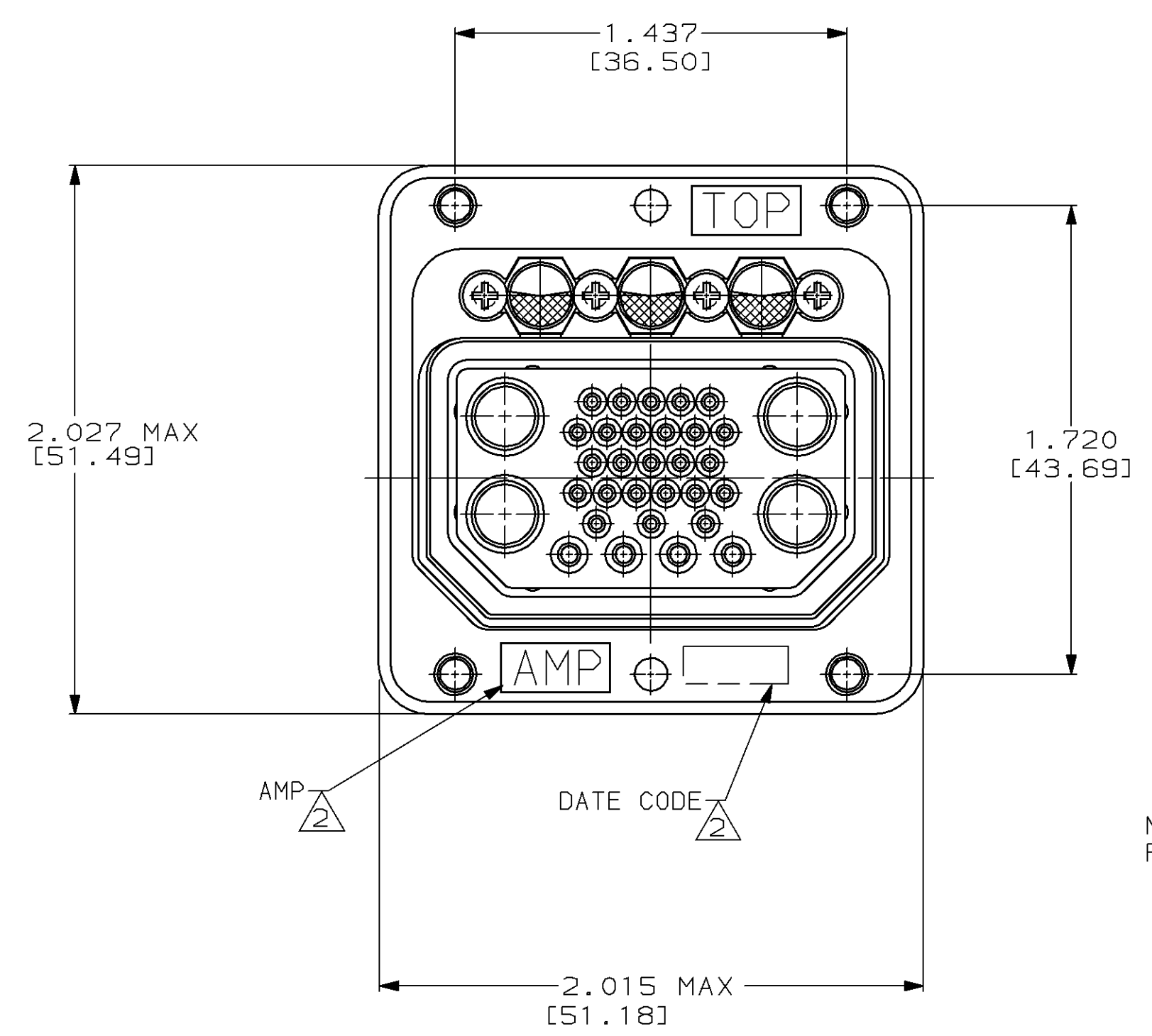
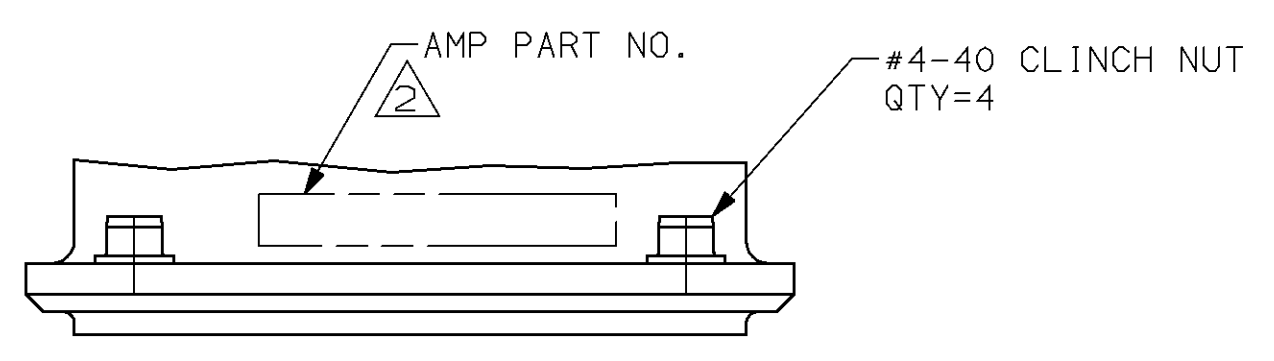


LOC		DIST		REVISIONS			
DF	AO	P	LTR	DESCRIPTION	DATE	DMN	APVD
		A		REV PER 0600-7486-98	5-98	CT	JW



- KEYING ASSEMBLED IN POSITION 01.
- AMP, AMP PART NO. AND DATE CODE MARKED IN AREA SHOWN.
- CONTACTS FOR 1218040-1 ARE PACKAGED IN A SEPARATE CONTAINER AND SHIPPED WITH CONNECTOR. COAX CONTACTS MUST BE ORDERED SEPARATELY.
- ALL CONTACTS AND INSERTION/EXTRACTION TOOLS FOR 1218040-2 ARE NOT SUPPLIED. THEY MUST BE ORDERED SEPARATELY.

4	1218040-2
3	1218040-1
REMARKS	PART NUMBER

THIS DRAWING IS A CONTROLLED DOCUMENT.		DMN C. C. THOMAS 4/30/98	AMP Incorporated Harrisburg, PA 17105-3508
DIMENSIONS (INCHES (MM))	TOLERANCES UNLESS OTHERWISE SPECIFIED:	CHK J. WEAVER 4/30/98	NAME RECEPTACLE ASSY, ARINC 404 RM1R33C4P-0101
0 PLC ±.005	1 PLC ±.005	APVD J. WEAVER 4/30/98	PRODUCT SPEC
2 PLC ±.005	3 PLC ±.005 (0.131)	APPLICATION SPEC	SIZE CAGE CODE DRAWING NO
4 PLC ±.005	ANGLES ±.005	RESTRICTED TO	A1 00779 C=1218040
MATERIAL SEE CALLOUTS	FINISH SEE CALLOUTS	WEIGHT	CUSTOMER DRAWING
		SCALE 2:1	SHEET 1 OF 1