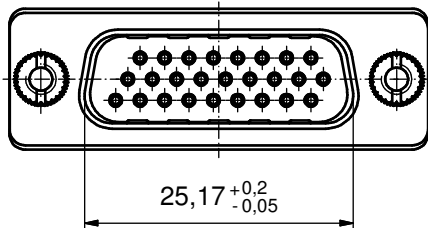
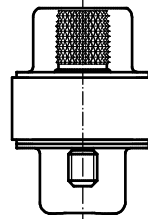
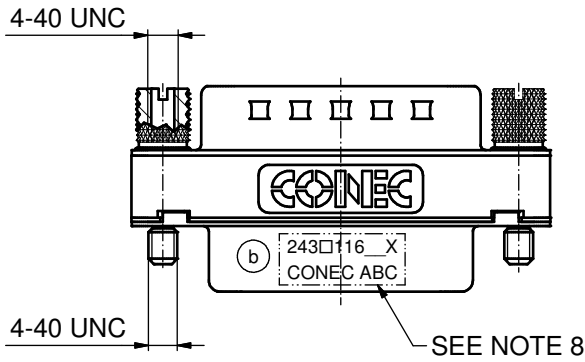
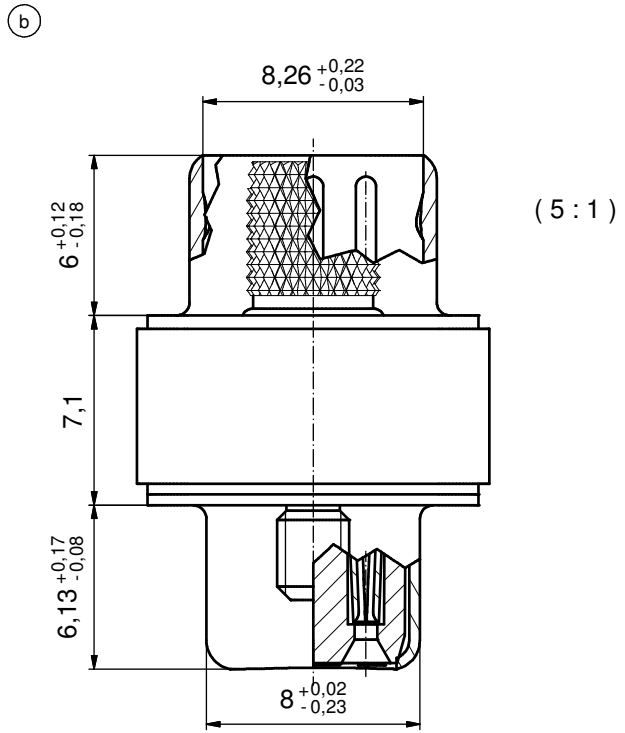
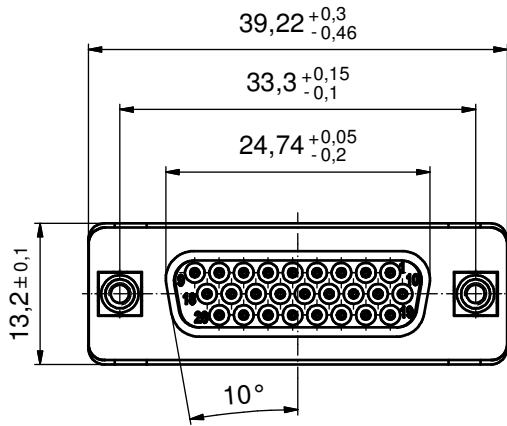
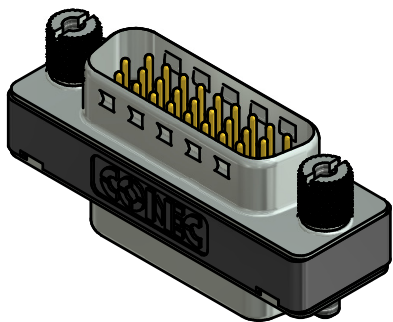


FILTER	CAPACITANCE	Part-no.
TYPE 1	180pF±20%	243□11610X
TYPE 2	370pF±20%	243□11650X
TYPE 3	830pF±20%	243□11690X



(b) NOTES:

- METALSHELLS: STEEL; min. 315µm TIN over 40-80µm NICKEL
- INSULATOR: PBT GF UL 94 V-0; BLACK
- CONTACTS: COPPER ALLOY; PLATING (SEE PART NO):
 - PLEASE ADD A for GOLD FLASH over NICKEL (PREFERRED TYPE)
 - PLEASE ADD B for 20µm HARD GOLD over min. 50µm NICKEL
 - PLEASE ADD C for 30µm HARD GOLD over min. 50µm NICKEL
- THREADED INSERTS: COPPER ALLOY; min 200µm TIN over 80µm NICKEL
- JACK SCREWS: COPPER ALLOY; NICKEL PLATED
- DIELECTRIC WITHSTANDING VOLTAGE: 300 VDC
- MAXIMUM TORQUE VALUE FOR THREAD: 6 in.LB
- CONNECTOR IS PART MARKED: 243□116 X CONEC ABC (see note 3 / see table)



RoHS compliant

THIS DRAWING MAY NOT BE COPIED OR REPRODUCED IN ANY WAY, AND MAY NOT BE PASSED ON TO A THIRD PARTY WITHOUT WRITTEN PERMISSION. OWNERSHIP AND COPYRIGHT OF CONEC GmbH DO NOT ALTER CAD DRAWING BY HAND				tolerance		dim. in mm	scale: 2:1 (5:1)	
				date			material: see notes	
				drawn	28.01.97	Barcinski	title: D-SUB HD C-FILTER ADAPTER 26pos. SOCKET / PLUG	
				appd.	28.01.97	Mickenbecker		
				norm				
				d-old	24K1IP8A		dwg no:	
4 x b	Ä5639	05.05.2015	K.H.	CONEC ®		24K1A1586 (b)		DIN-A3
a	Original					part no:		SEE TABLE
rev.	description	date	name					