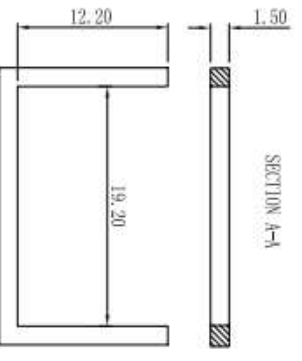
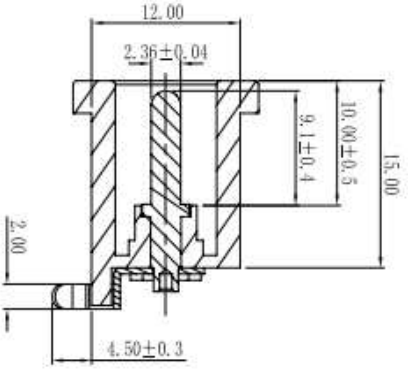
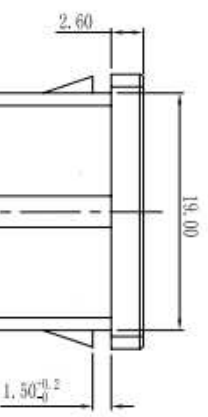
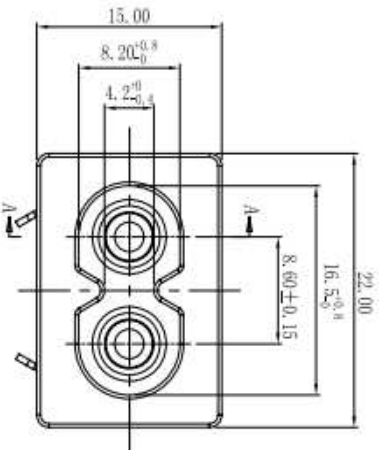
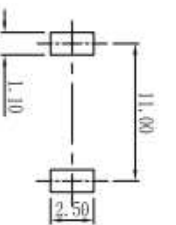


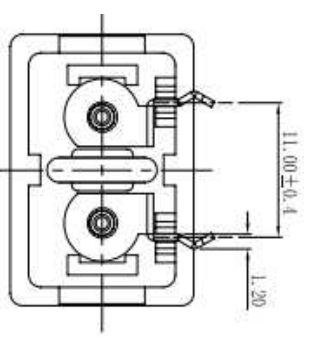
③



PANEL CUT-KIT



PCB LAYOUT



**RoHS compliant**

- NOTES:
1. Insulator: PBT +30%GF Color: Black
  2. Terminal: COPPER ALLOY TIN PLATING
  3. Electrical: 2.5A /250V~
  4. Approval:
    - ① UL
    - ② FMV
    - ③ CCC
    - ④ VDE
    - ⑤ SEMKO
    - ⑥ NEMKO
    - ⑦ DEMKO

| Scale            | 1:1  |                     |            |
|------------------|------|---------------------|------------|
| <b>TOLERANCE</b> |      |                     |            |
| 0-10             | ±0.1 |                     |            |
| 10-30            | ±0.3 |                     |            |
| 30-100           | ±0.5 |                     |            |
| <b>DIM TOL</b>   |      |                     |            |
|                  |      | ② Update            | 08.07.2009 |
|                  |      | ① Drawn             | 14.12.2007 |
| <b>UNIT</b>      | mm   | <b>Modification</b> |            |

| Date       | Name     | Customer-No.                       |
|------------|----------|------------------------------------|
| 14.12.2007 | N.Schulz | ASSMANN WSW-No.<br><b>A-8F/PCB</b> |
| 17.12.2012 | Winnie   |                                    |
|            |          | Drawing-No.<br><b>ASS 0889H CO</b> |
|            |          | Replace                            |
|            |          | rev03                              |
|            |          | SHEET                              |



|   |   |   |   |   |   |   |   |     |
|---|---|---|---|---|---|---|---|-----|
| A | 1 | 2 | 3 | 4 | 5 | 6 | 7 | A   |
| B | 1 | 2 | 3 | 4 | 5 | 6 | 7 | B   |
| C | 1 | 2 | 3 | 4 | 5 | 6 | 7 | C   |
| D | 1 | 2 | 3 | 4 | 5 | 6 | 7 | D   |
| E | 1 | 2 | 3 | 4 | 5 | 6 | 7 | E   |
| F | 1 | 2 | 3 | 4 | 5 | 6 | 7 | F   |
| G | 1 | 2 | 3 | 4 | 5 | 6 | 7 | G   |
| H | 1 | 2 | 3 | 4 | 5 | 6 | 7 | H   |
|   |   |   |   |   |   |   |   | 195 |