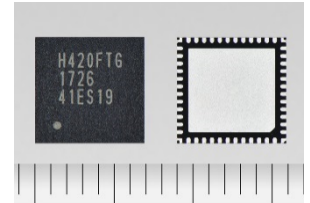


New Surface-Mount Brushed Motor Driver IC Supporting High Voltage and Large Current Drive

TB67H420FTG is a new brushed motor driver supporting high-voltage and large-current drive for printers and other office equipment, banking terminals, cash dispensers, and home appliances that need high torque drive. Both high power driving (50 V, 9.0 A) and space-saving are achieved. Mass production starts today.



Three features

- Supporting high power drive (50 V, 9.0 A) (in single bridge mode)
 - Incorporating a dual bridge mode that can control each channel independently in the internal output control unit (capable of controlling up to two brushed motors simultaneously, 4.5 A in maximum).
 - Adopting a small package (QFN48) and the number of peripheral components are reduced by sense resistor-less current control (ACDS*) technology, contributing to space-saving in the board layout.
- * ACDS: Advanced Current Detection System; Current control method which does not require sense resistor.

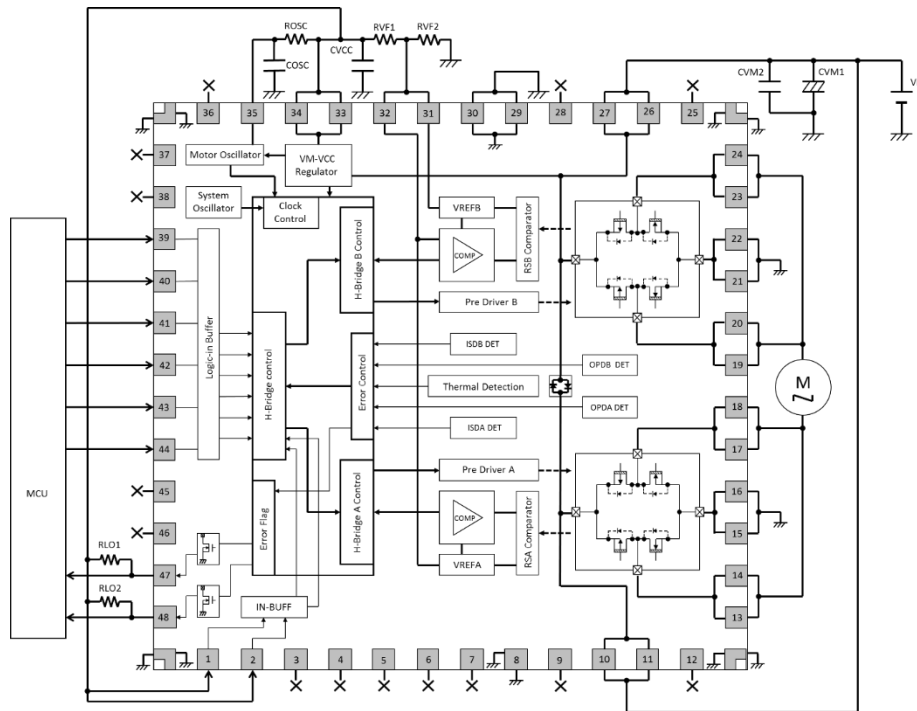
Applications

- Office equipment
- Banking terminals and cash dispensers
- Home appliances

Main specifications of product

Part number	TB67H420FTG
Control I/F	Parallel input
Absolute maximum ratings	50 V, 9 A or 50 V, 4.5 A for 2 channels
Package	QFN48
Drive mode	Forward rotation (CW), Reverse rotation (CCW), Brake (Short Brake), and Stop (OFF)
Other features	Switching function (Single bridge mode / Dual bridge mode) Current limiter (Constant-current PWM control) Error detection functions (thermal shutdown, over-current protection, under voltage lock out, and motor load open detection) Error detection signal output function Support the power-on sequence by the single power drive
Mass production	Now

Application circuit example



Application circuit example (in single bridge mode)

Note: The application circuit shown above is provided for reference purposes only and not guaranteed for mass production.

Before creating and producing designs and using, customers must also refer to and comply with the latest versions of all relevant information of this document and the instructions for the application that Product will be used with or for.