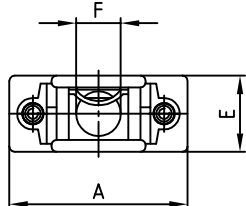
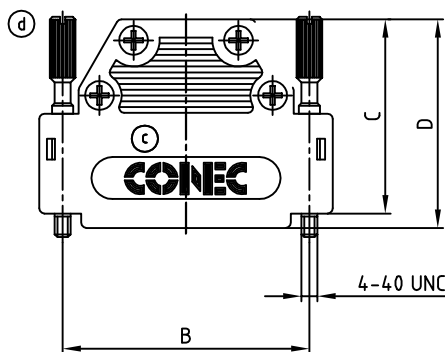
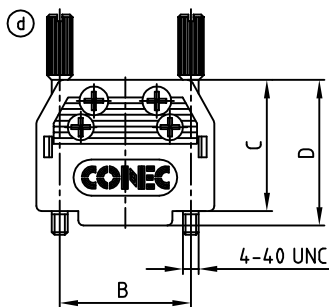
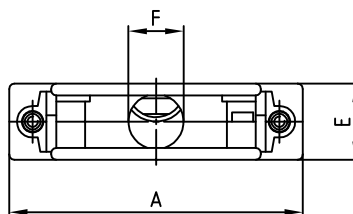


used for: D-SUB

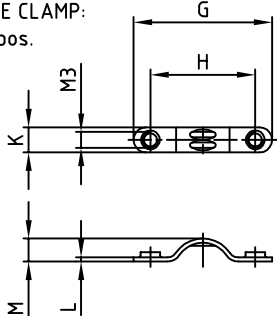
Ⓒ 9pos.



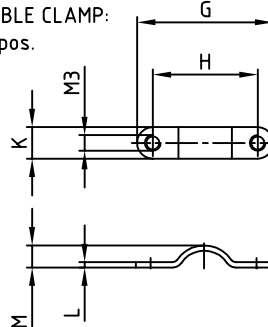
15-50pos.



Ⓑ CABLE CLAMP:
9-37pos.



Ⓑ CABLE CLAMP:
50pos.



POS.	A	B	C	D	E	F	G	H	K	L	M	Part NO.
9	34.0	25.0	25.0	27.75	14.5	8.5	17.6	12.0	4.8	0.8	2.6	165X10909X
15	42.3	33.3	37.0	39.75	14.5	10.0	17.6	12.0	4.8	0.8	2.6	165X10919X
25	56.0	47.0	37.0	39.75	14.5	10.5	26.4	20.0	4.8	0.8	4.4	165X10929X
37	72.5	63.5	37.0	39.75	14.5	10.5	26.4	20.0	4.8	0.8	4.4	165X10939X
50	70.0	61.1	50.0	50.00	21.0	10.5	26.0	20.0	6.0	1.0	4.2	165X10949X

NOTES:

1. HOOD MATERIAL: ABS UL94 V0, METALLIZED
2. SCREWS: BRASS, NICKEL-PLATING
- Ⓑ 3. CABLE CLAMPS: STEEL, NICKEL-PLATING
- Ⓓ 4. MAX. MOUNTING TORQUE 0,15 Nm
RECOMMENDED MOUNTING TORQUE 0,1 Nm

THIS DRAWING MAY NOT BE COPIED OR REPRODUCED IN ANY WAY, AND MAY NOT BE PASSED ON TO A THIRD PARTY, WITHOUT WRITTEN PERMISSION. OWNERSHIP AND COPYRIGHT OF CONEC GmbH DO NOT ALTER CAD DRAWING BY HAND	tolerance		dim. in mm	scale: 2:1
	material: SEE SPECIFICATION			material: SEE SPECIFICATION
	title: PLASTIC HOOD 9-50pos.		title: PLASTIC HOOD 9-50pos.	
	dwg no: 16K1A972		dwg no: 16K1A972	
	part no: SEE TABLE		part no: SEE TABLE	

rev.	description	date	name
1 x e	Ä6403	09.11.2016	Lehmen, appd.
2 x d	Ä3961	06.04.2011	K.H. norm
2 x c	Ä3525	14.12.2009	Henne, d-old
3 x b	Ä1898	08.12.2003	Lehmen,
a	Original		

RoHS compliant

DIN-A
3
sh: 1/1