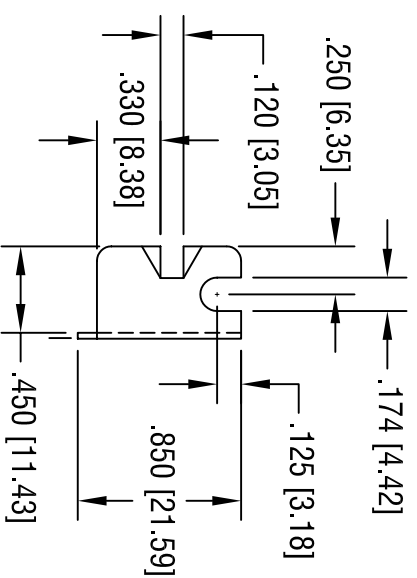
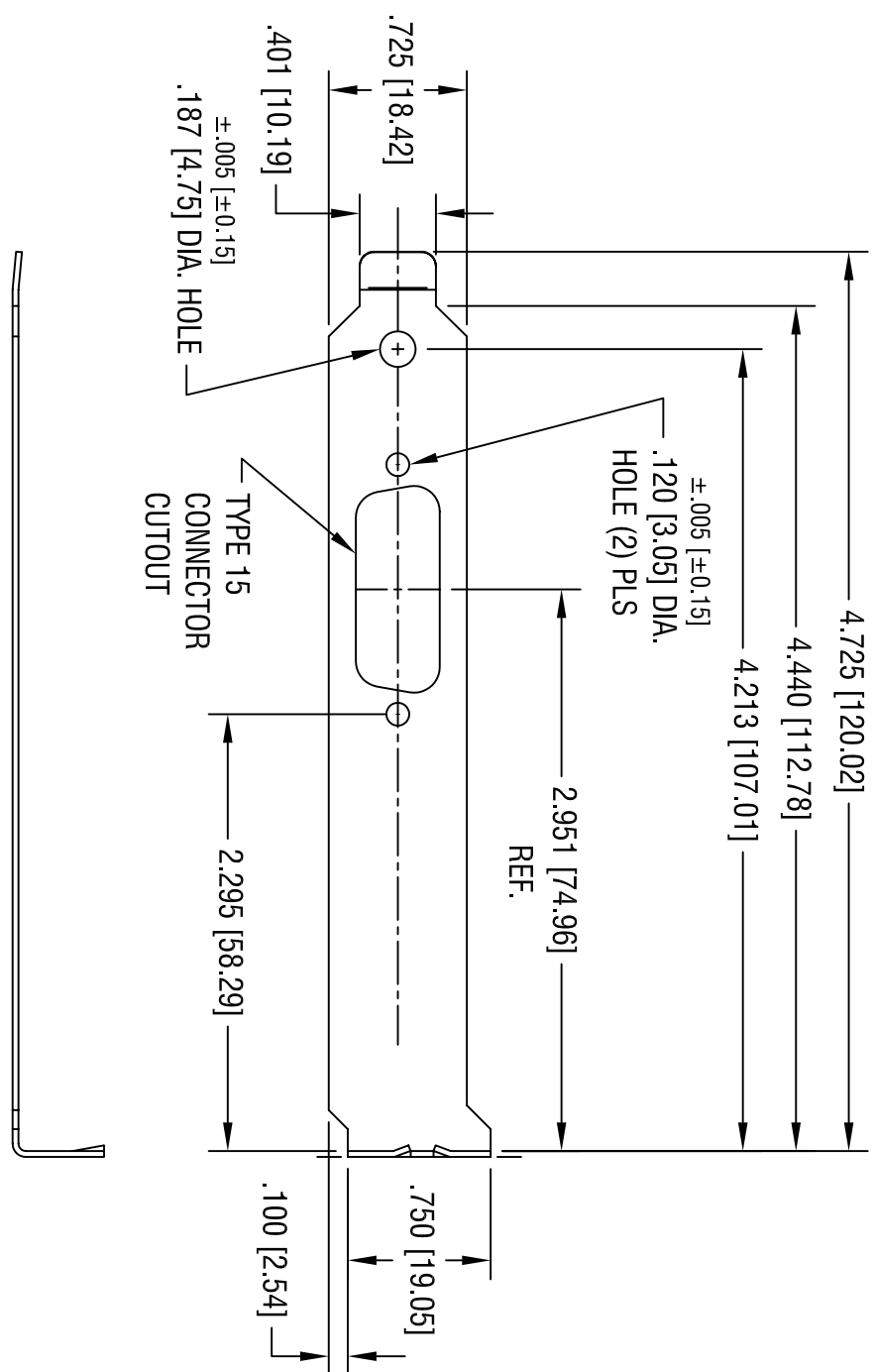


DATE	DESCRIPTION	REV.
9.24.98	CHANGE AS PER ECR 98-070	A



<b>KEYSTONE ELECTRONICS CORP.</b>			
ASTORIA, N.Y. 11105-2017			
PART NAME		COMPUTER BRACKET	
MATERIAL			
.032 [0.81] THK STEEL			
FINISH		NICKEL PLATE	
TOLERANCES		INCH	[MM]
DECIMAL	± .015	[± 0.38	]
ANGULAR	± 1°		
UNLESS OTHERWISE SPECIFIED		CODE	DWG NO.
		C	9200-3
DRN BY	BOONE	DATE	6.15.98
APP'D	LN	SCALE	1X

THIS DOCUMENT IS THE PROPERTY OF KEYSTONE ELECTRONICS CORP. AND SHALL NOT BE REPRODUCED, DISTRIBUTED OR USED AS A BASIS FOR MANUFACTURE WITHOUT PRIOR WRITTEN PERMISSION FROM KEYSTONE ELECTRONICS CORP.