

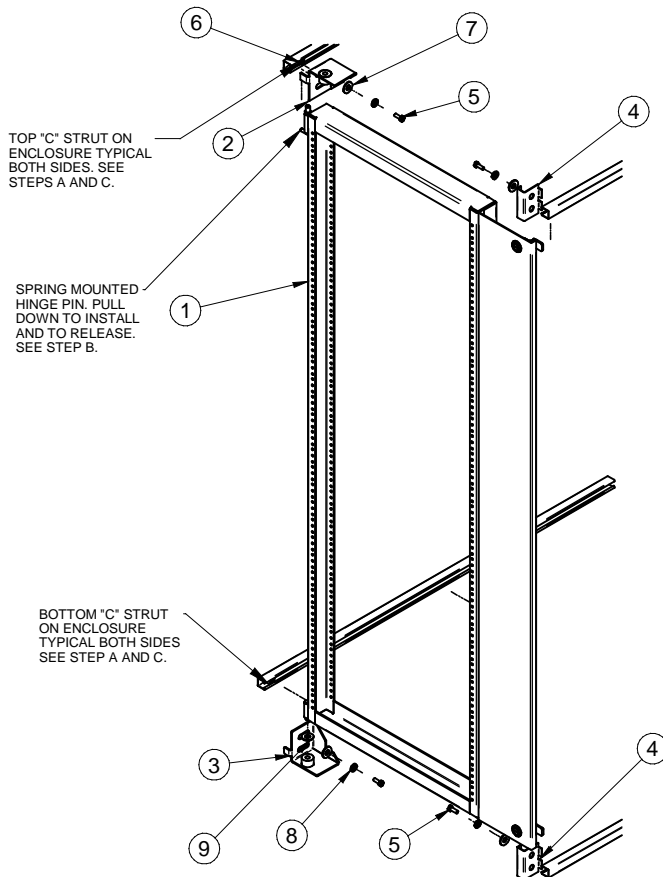
SWING FRAME

SWING OUT RACK MOUNTING KIT FOR SINGLE DOOR ENCLOSURES C2/C3/IME SERIES AND 1418FS SERIES.

BUL10260
REV. B

ASSEMBLY INSTRUCTIONS

- (A) ASSEMBLE THE TOP AND BOTTOM PIVOT BRACKETS TO THE TOP AND BOTTOM SIDE "C" STRUTS ON THE ENCLOSURE USING A 3/8-16 HARDWARE AS SHOWN. SECURE AT THE DESIRED LOCATION FROM THE FRONT OF THE ENCLOSURE. INSERT THE STRUT NUTS INTO THE TOP AND BOTTOM OF SIDE "C" STRUTS.
- (B) INSTALL THE SWING FRAME INTO THE HOLE ON THE BOTTOM OF THE PIVOT BRACKET. THEN SET THE WEAR WASHER OVER THE BOTTOM HOLE AND THEN INSERT THE PIN INTO THE BOTTOM HOLE. THEN PULL DOWN THE TOP HINGE PIN, LINE UP THE HINGE PIN WITH THE HOLE IN THE TOP PIVOT BRACKET AND RELEASE THE PIN INTO THE HOLE.
- (C) INSTALL THE DOOR CATCH ONTO THE TOP AND BOTTOM "C" STRUTS LOCK SIDE. THEN SECURE IT USING A 3/8-16 HARDWARE AND ADJUST SO THAT WHEN THE SWING FROM IS LOCKED, THE FRAME RUNS PARALLEL TO THE FRONT OF THE ENCLOSURE.



NOTE: MOUNTING HOLES IN THE SIDES OF THE BRACKETS USED IN ILLUSTRATION ARE FOR C2 AND C3 SERIES. USE THE OTHER MOUNTING HOLES IN SIDES OF BRACKETS FOR THE IME AND 1418FS SERIES.

NOTE: SWING FRAME CAN ONLY BE INSTALLED IN A SINGLE DOOR ENCLOSURE.

**SWING FRAME IS REVERSIBLE
LEFT HAND HINGE IS SHOWN.**

PART #	QTY.	DESCRIPTION
1	1	SWING FRAME
2	1	TOP PIVOT BRACKET
3	1	BOTTOM PIVOT BRACKET
4	2	DOOR CATCH BRACKET
5	4	3/8-16 HEX HD SCREW
6	4	3/8-16 SPRING STRUT NUT
7	4	3/8 FLAT WASHER
8	4	3/8 LOCK WASHER
9	1	SS WEAR WASHER

