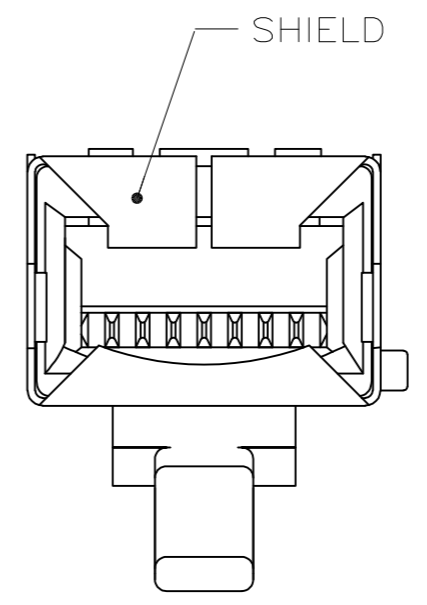
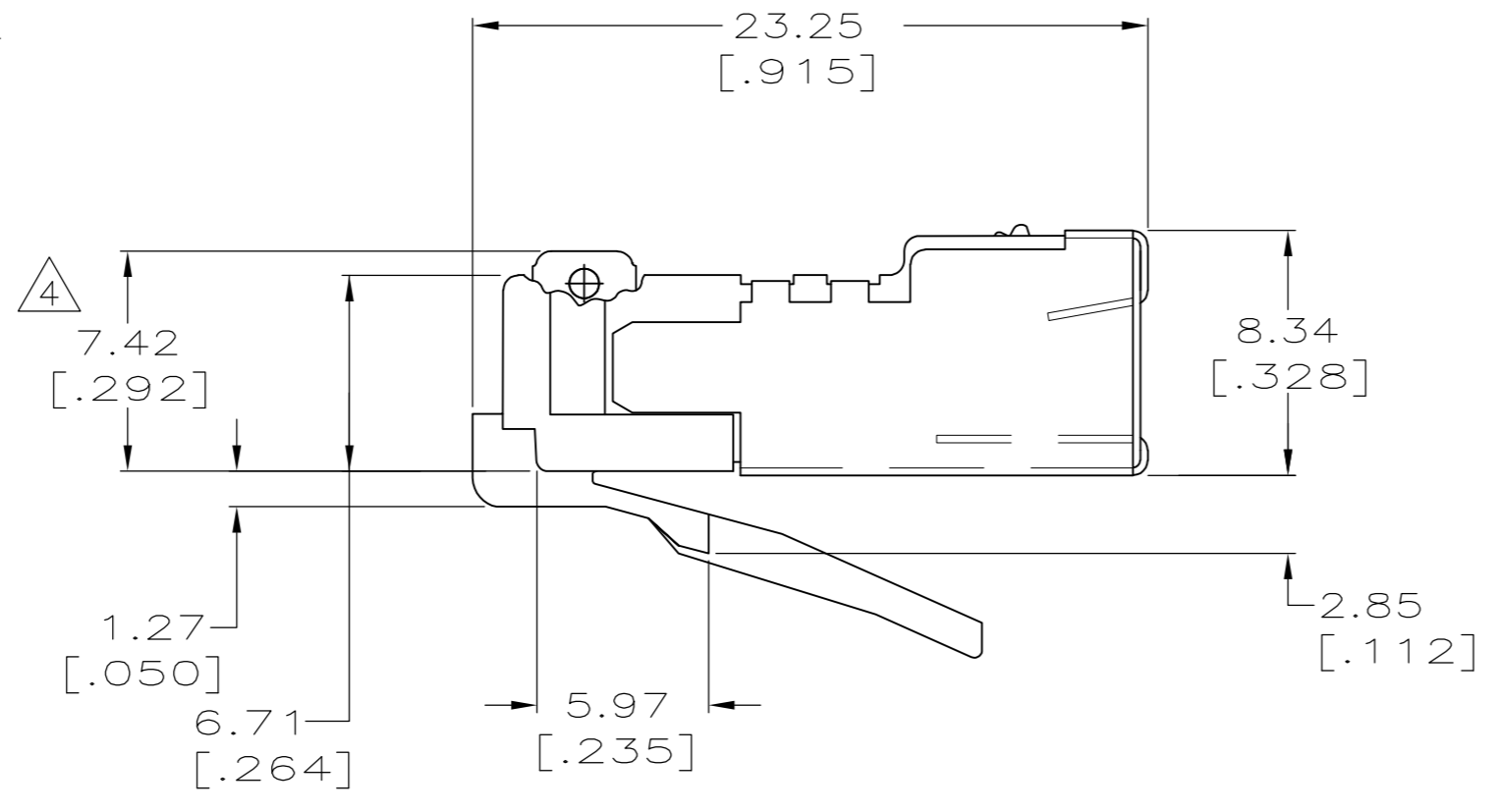
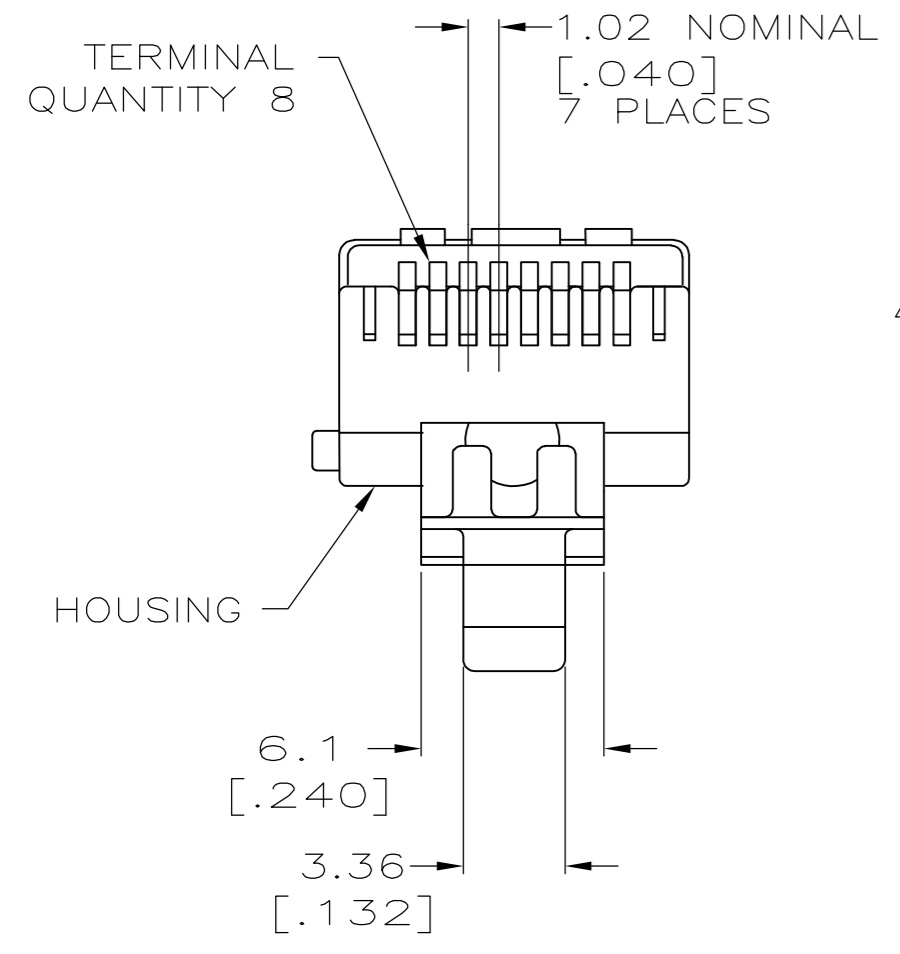
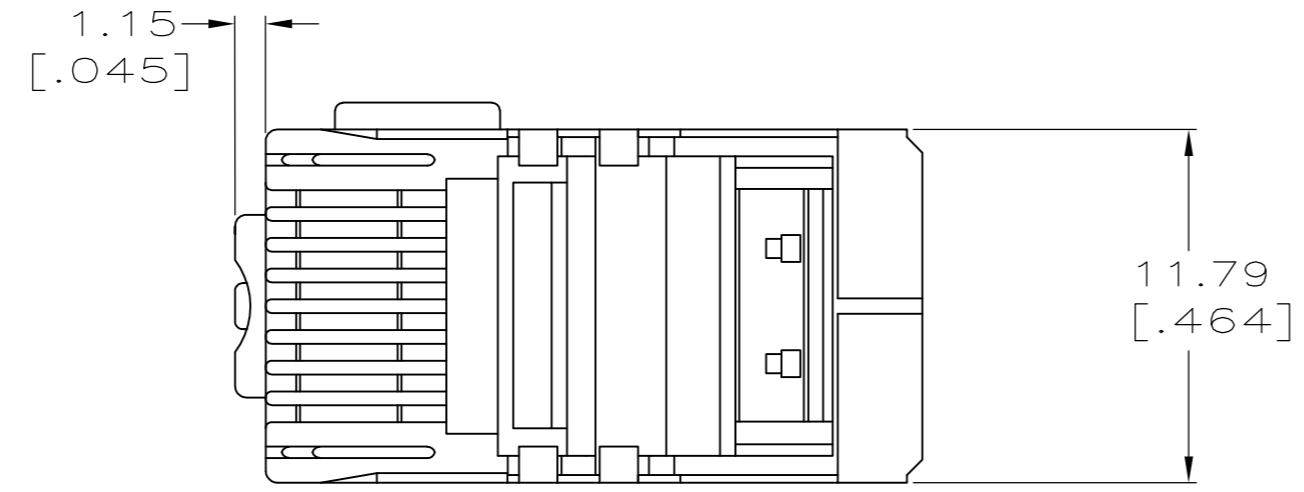


THIS DRAWING IS UNPUBLISHED. RELEASED FOR PUBLICATION
 © COPYRIGHT - By - ALL RIGHTS RESERVED.

LOC	DIST	REVISIONS					
HM	00	P	LTR	DESCRIPTION	DATE	DWN	APVD
		F		REV PER ECO-12-012918	09JUL2012	JM	JG

- 1. DIMENSIONS ARE MAXIMUM UNLESS OTHERWISE SPECIFIED.
- 2. MATERIAL: HOUSING-POLYCARBONATE, CLEAR
 TERMINAL- PHOSPHOR BRONZE, PLATED WITH 1.27µm [.000050] MINIMUM THICK GOLD IN LOCALIZED GOLD PLATE AREA, OVER 2.54µm [.000100] MINIMUM THICK NICKEL UNDERPLATE.
 SHIELD - COPPER ALLOY WITH 1.27µm [.000050] MINIMUM SEMI-BRIGHT (SATIN) NICKEL.
- 3. PLUG WILL ACCEPT 24 TO 28 AWG STRANDED WIRE, 0.74-0.99 [.029-.039] DIAMETER, WITH A 5.08 [.200] DIAMETER MAXIMUM JACKET.
- 4. TERMINATED DIMENSION 6.15 [.242] MAXIMUM.
- 5. 500 ASSEMBLIES PER PACKAGE.
- 6. 100 ASSEMBLIES PER PACKAGE.



6	5-569533-3
5	5-569533-2
PACKAGED	PART NUMBER

THIS DRAWING IS A CONTROLLED DOCUMENT.		DWN	26OCT2006		TE Connectivity
DIMENSIONS: mm [INCHES]		L. HALL	30OCT2006		
TOLERANCES UNLESS OTHERWISE SPECIFIED:		C. DOOLEY	30OCT2006		
0 PLC ± - 1 PLC ± - 2 PLC ± - 3 PLC ± - 4 PLC ± - ANGLES ± - FINISH -		C. DOOLEY	30OCT2006		
1 2 3 4		PRODUCT SPEC	108-1163	NAME	
MATERIAL		APPLICATION SPEC	114-6016	MODULAR PLUG ASSEMBLY, KEYED, 8 POSITION, SHIELDED, ROUND CABLE, STRANDED WIRE	
- 2		WEIGHT	-	SIZE	A2
		CUSTOMER DRAWING		CAGE CODE	00779
				DRAWING NO	C=569533
				RESTRICTED TO	-
				SCALE	4:1
				SHEET	1 of 1
				REV	F

569533