

DRAWING MADE IN AMERICAN PROJECTION

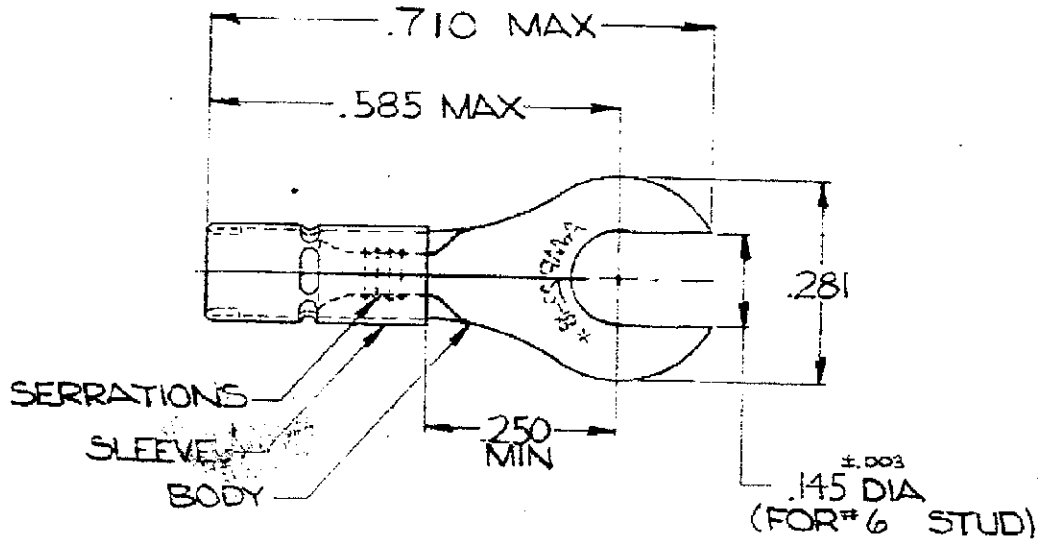
LOC **G** PRINT DIST **14 C**

©1947 BY AMP INCORPORATED. ALL RIGHTS RESERVED. AMP PRODUCTS COVERED BY PATENTS AND/OR PATENTS PENDING.

REVISIONS

LTR	DESCRIPTION	DATE	APPROVED
A	REDRAWN & UPDATED PC-5558	10-3-69	JM
B	REV. & ADDED TAPE NO.	5-11-71	FEY
C	INACTIVATED 2-1 P-9241	11-30-81	JFM
C1	REV PER ECR 06-024909	10/26/06	JR/TM

34101



TONGUE MATERIAL THICKNESS =  $\pm .002$   
 FOR .080 TO .125 WIRE INSULATION DIA  
 MARKING 22-18 FOR MILITARY  
 COMMERCIAL RANGE 22-16

34101	2-34101-1
PART NO.	PART NO. ON TAPE

UNLESS OTHERWISE SPECIFIED DIMENSIONS ARE IN INCHES  
 TOLERANCES ON:  
 DECIMALS  $\pm .008$   
 ANGLES  $\pm 5^\circ$

MATERIAL  
 COPPER (QQ-C-576)  
 TIN PL (L-T-10727)

CONTRACT NO. #

DR. *H. Benoit 9/2/69*

CHK. *J.M. Eversman 10-5-69*

APPD. *Swabel 10-6-69*

REC. *J.M. Eversman 10-6-69*

DSSN APPD

OTHER APPD

**AMP** AMP INCORPORATED  
 HARRISBURG, PENNSYLVANIA

NAME  
 WIRE TERMINAL  
 DIAMOND GRIP-SLOTTED RING TONGUE  
 WIRE SIZE: 22-16

SIZE <b>A</b>	CODE IDENT NO. 00779	NUMBER 34101
SCALE NTS	SHEET 1 OF 1	