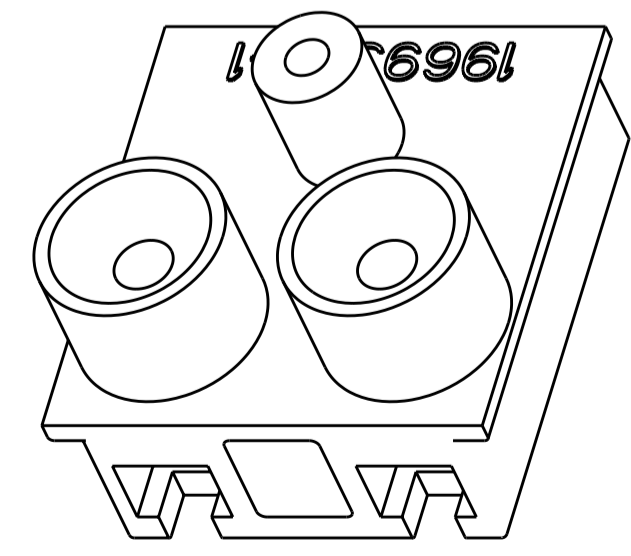
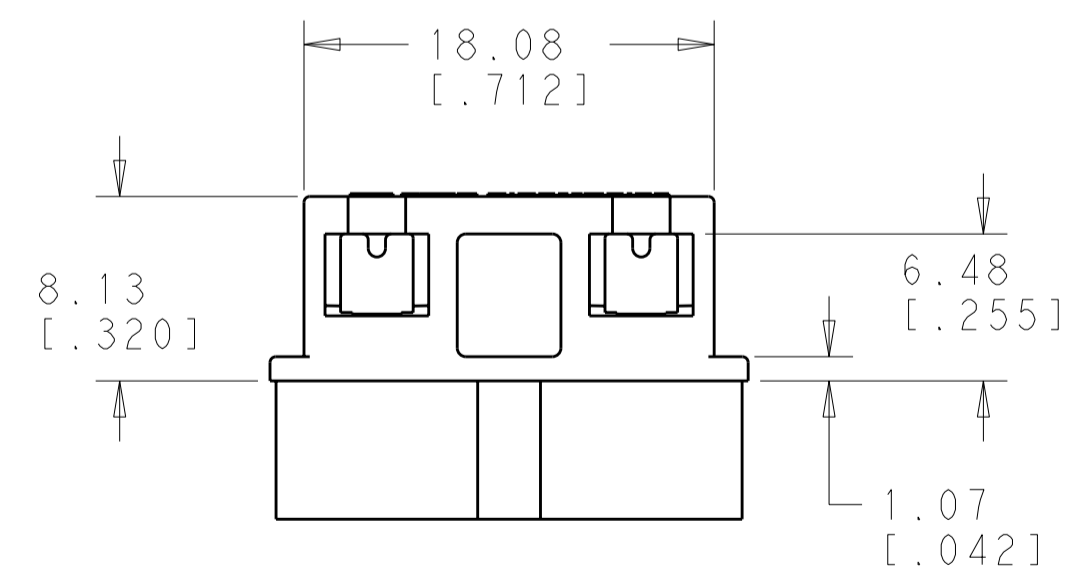
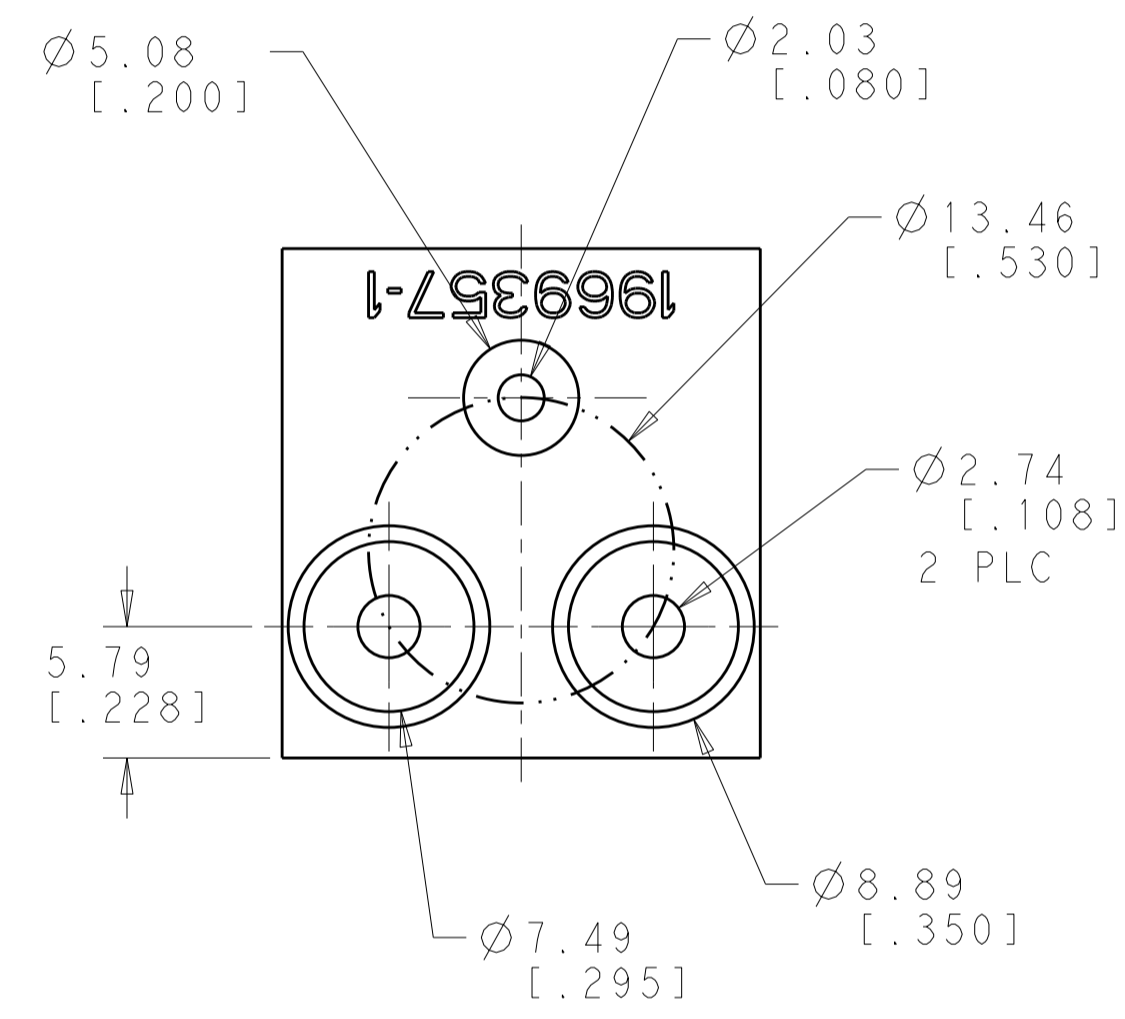
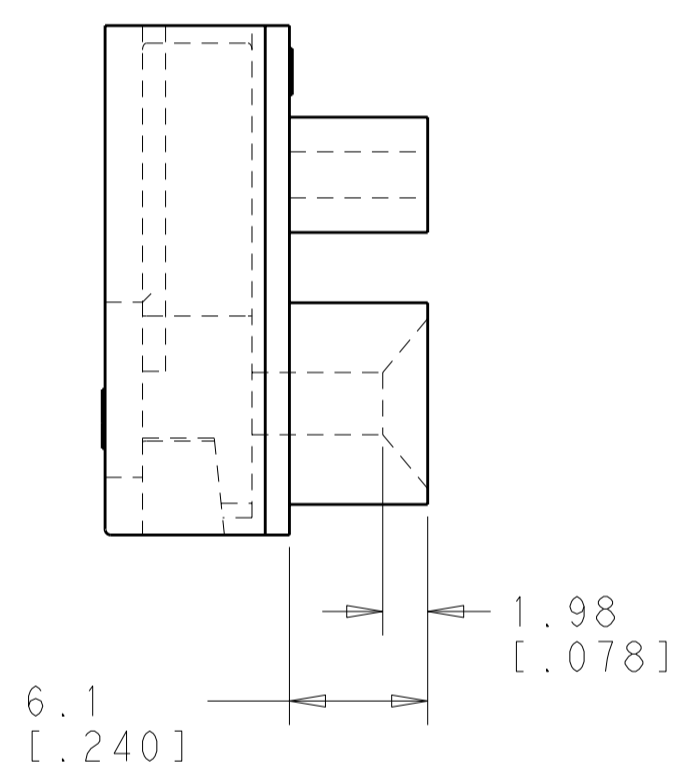
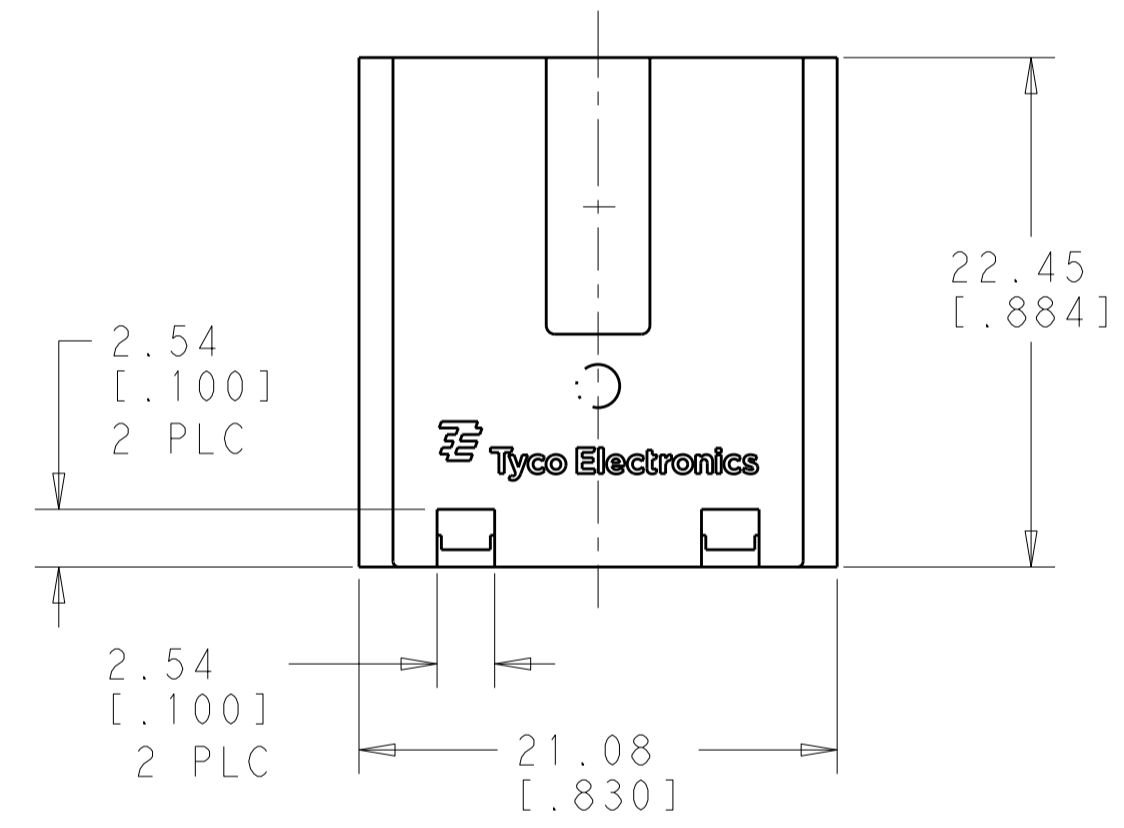
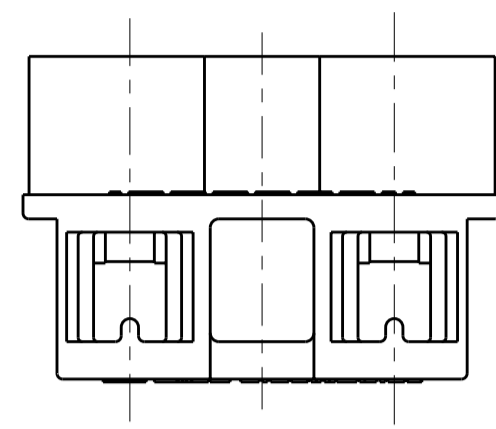


THIS DRAWING IS UNPUBLISHED. RELEASED FOR PUBLICATION 20  
 © COPYRIGHT 20 BY TYCO ELECTRONICS CORPORATION. ALL INTERNATIONAL RIGHTS RESERVED.

LOC		DIST		REVISIONS			
P	LTR	DESCRIPTION	DATE	DWN	APVD		
AF	50	A	DRAWN	04MAY12	JR	GJ	

△ HOUSING ACCEPTS TWO 2.3 [.090] DIA CLUSTERBLOCK RECEPTACLES.



1969357-1  
PART NO.

THIS DRAWING IS A CONTROLLED DOCUMENT FOR TYCO ELECTRONICS CORPORATION. IT IS SUBJECT TO CHANGE AND THE CONTROLLING ENGINEERING ORGANIZATION SHOULD BE CONTACTED FOR THE LATEST REVISION.		DWN	JR RUTH	13APR10	Tyco Electronics Harrisburg, PA 17105-3608	
DIMENSIONS: MM [INCHES]		CHK	GENE JACONO	13APR10	NAME CLUSTERBLOCK HOUSING, 2.29 [.090] DIA, 2 POSITION	
TOLERANCES UNLESS OTHERWISE SPECIFIED: 0 PLC ± 1 PLC ±0.25 [.010] 2 PLC ±0.13 [.005] 3 PLC ± 4 PLC ± ANGLES ±		APVD	JEFF HUMMEL	13APR10	SIZE A200779	
MATERIAL PBT UNFILLED		PRODUCT SPEC	108-2008	DRAWING NO C-1969357		RESTRICTED TO -
FINISH COLOR-NATURAL		APPLICATION SPEC	114-2019	SCALE 3:1		SHEET 1 OF 1
CUSTOMER DRAWING		WEIGHT	-	REV A		