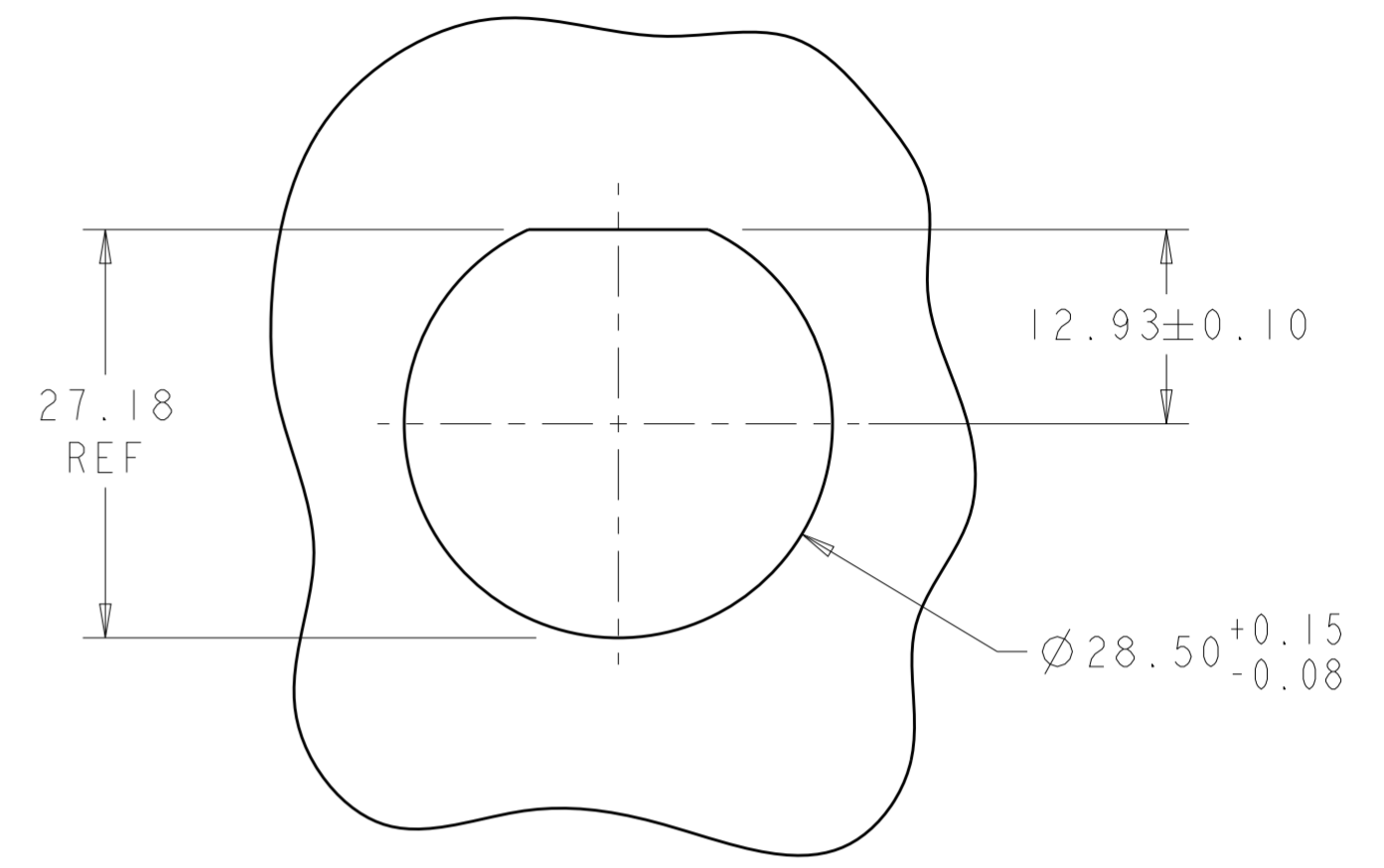
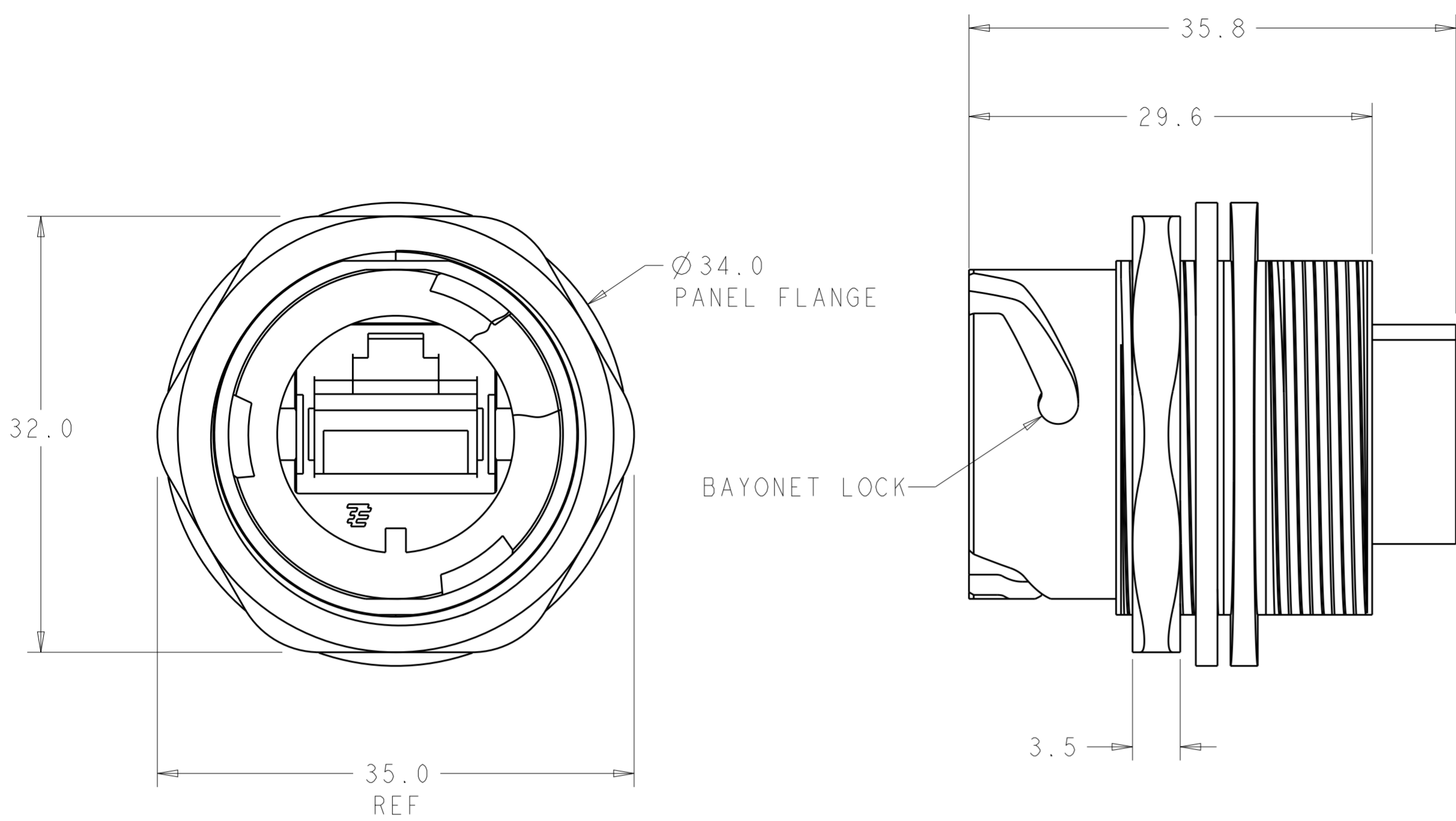
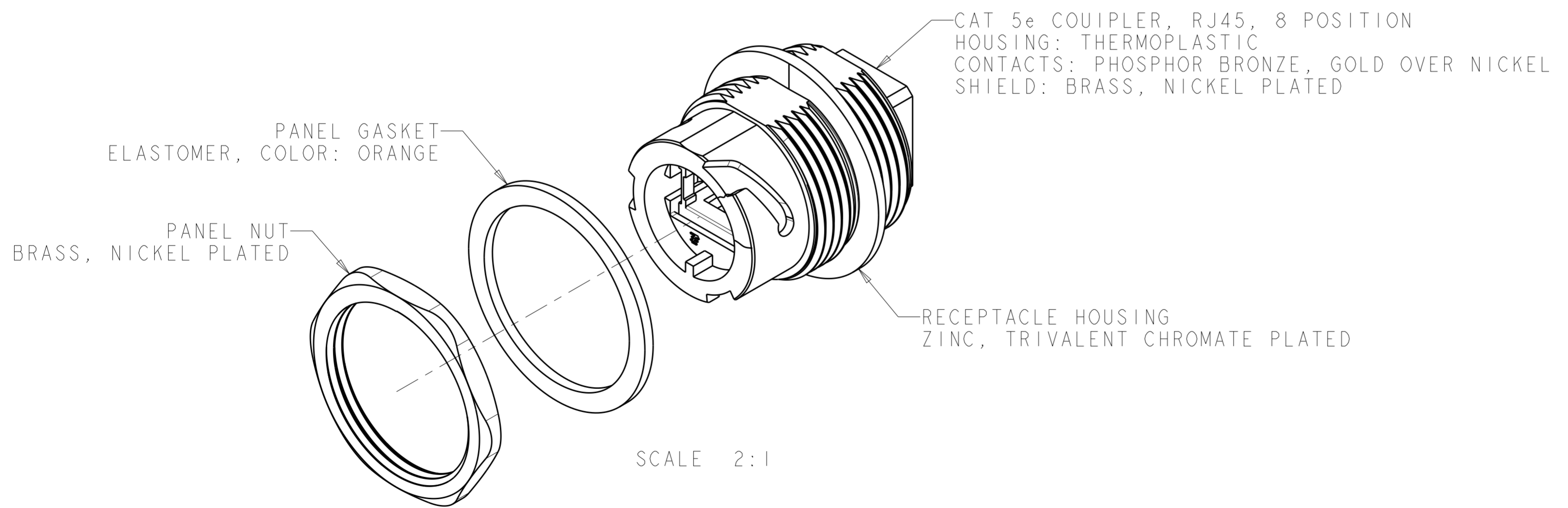


THIS DRAWING IS UNPUBLISHED. RELEASED FOR PUBLICATION 20
 © COPYRIGHT 20 BY - ALL RIGHTS RESERVED.

| LOC | | DIST | | REVISIONS | | | |
|-----|-----|---------------------------|-----------|-----------|------|--|--|
| P | LTR | DESCRIPTION | DATE | DWN | APVD | | |
| | A3 | REVISED PER ECO-12-014757 | 14AUG2012 | KH | MB | | |



RECOMMENDED PANEL CUTOUT
 3.2mm MAXIMUM PANEL THICKNESS



SCALE 2:1

| | |
|-------------|-------------|
| SHIELDED | 2008615-2 |
| UNSHIELDED | 2008615-1 |
| DESCRIPTION | PART NUMBER |

- CONNECTOR MAY BE FRONT OR REAR PANEL MOUNTED. VIEWS SHOW PANEL NUT AND GASKET LOCATION FOR THE REAR PANEL MOUNTED VERSION.
- COUPLER LINES CROSSOVER BETWEEN POSTS.
- PANEL NUT AND PANEL GASKET ARE PACKAGED ASSEMBLED IN POLYBAG.

THIS DRAWING IS A CONTROLLED DOCUMENT.

| | | | | | | | |
|-------------|--|------------------|-----------|---|-----------|------------|---------------|
| DIMENSIONS: | TOLERANCES UNLESS OTHERWISE SPECIFIED: | DWN | 01APR2008 | TE Connectivity NAME RECEPTACLE KIT, 8 POSITION INDUSTRIAL ETHERNET CONNECTOR | | | |
| mm | 0 PLC ±1.0 | CHK | 01APR2008 | | | | |
| | 1 PLC ±0.2 | APVD | 01APR2008 | | | | |
| | 2 PLC ±0.10 | PRODUCT SPEC | | | | | |
| | 3 PLC ±0.000 | APPLICATION SPEC | | SIZE | CAGE CODE | DRAWING NO | RESTRICTED TO |
| | 4 PLC ±0.000 | WEIGHT | | A2 | 00779 | C-2008615 | |
| MATERIAL | FINISH | CUSTOMER DRAWING | | SCALE | 3:1 | SHEET | OF |
| | | | | | | 1 | 1 |
| | | | | | | | REV |
| | | | | | | | A3 |