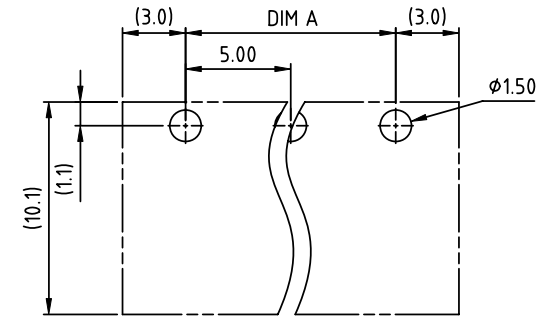
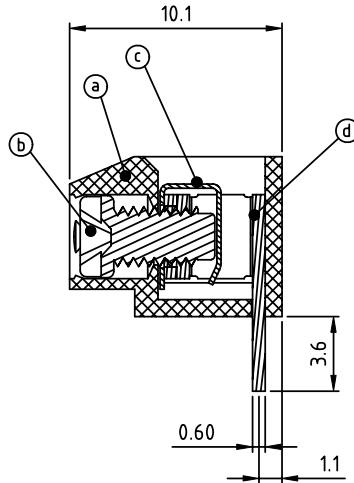
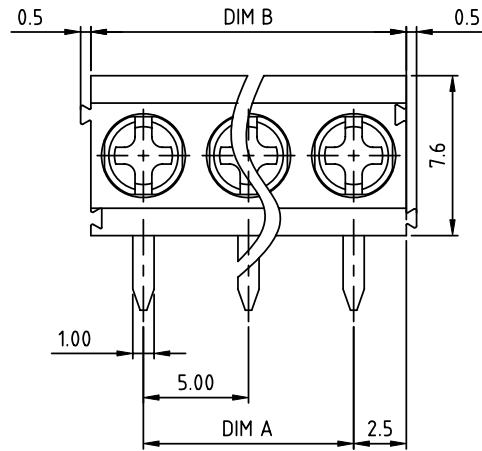


PRODUCT NUMBER	PITCH
T3xx04x300J0G	5.00 mm



RECOMMENDED P.C.B LAYOUT
TOP VIEW

Material:

- Item (a) insulating body: Thermoplastic (UL94V-0)
- Item (b) terminal screw: steel, Zinc plating ("+" "-" combination type)
- Item (c) wire guard: Stainless steel
- Item (d) terminal body: Brass Tin plated

Electrical UL/TUV

- Voltage rating: 300VAC/250VAC
- Current rating: 8A/12A
- Wire range:
- Solid wire(AWG): 14-26/0.2-2.5mm²
- Stranded wire(AWG): 14-26/0.2-2.5mm²
- Torque: 2.6Lb-In/0.4Nm
- Screw: M2.5
- Wire strip length: 5-6mm
- Withstanding Voltage: 1.6KV
- Operating temperature: -40°C to +115°C/ -40°C to +105°C
- Soldering temperature: 260°C±5°C/5 Sec
- Safety Approval:

N = Number of poles
Dim A = (N-1) X 5.0
Dim B = N x 5.0

Poles	Tolerance
2P	±0.05
3-6p	±0.15
7-12p	±0.20
13-18p	±0.30
19-24p	±0.40

PART NO.: T3 xx 04 x 3 00J0 G

- | | | |
|---------------|---------------------|-----------------|
| End stackable | Body Color | RoHS compliant |
| No. of poles | 0 Black (RAL9005) | (lead<4%) |
| 02 2 poles | 2 Red (RAL3001/D) | In copper Alloy |
| 03 3 poles | 3 Orange(RAL2011/P) | |
| ... | 4 Yellow(RAL1018/A) | |
| ... | 5 Green(RAL6018/T) | |
| 24 24 poles | 6 Blue (RAL5015/A) | |
| | 8 Grey(RAL7035/D) | |
| | 9 White(RAL1102) | |
| | C Green(RAL6018/U) | |

mat'l. code		surface ASME Y14.5 ✓	tolerance ASME Y14.5	projection 	product family TERMINAL BLOCK
ltr	ecn no	dr	date	tolerances unless otherwise specified	title
				angles in/out X.±0.5 X.X±0.3 X'±1" X.XX±0.1	TERMINAL BLOCK WIRE PROTECTOR,90D WIRE INLET
				scale	MM
		dr	EVIN ZHONG	033114	dwg no
		enrg	EVIN ZHONG	033114	sheet 1 of 1
		chr	HANKE FENG	033114	size
		appd	SHI JUN	033114	T3xx04x300J0G
					A4
sheet index	revision	A			type
	sheet	1			CUSTOMER Drawing