

Cable Print:
 <MOLEX ETHERNET CABLE CAT 6_A 4x2x26> <material no.> <datecode>

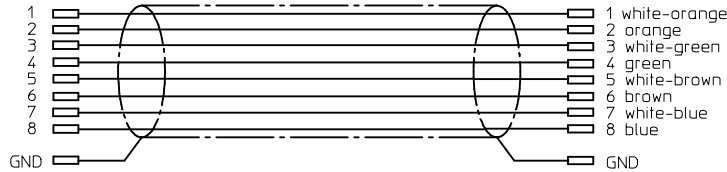
Technical Data:
 M12 CAT6 8p Cordset AWG26 straight blue
 inline 360° shielded.

Poles: 8
 Max. Voltage: 48V
 Max Current: 0,5A
 Contact resistance: <5m Ohm
 Insulation withstand: >100M Ohm
 Protection: IP67
 Temperature range: -40°C to 70°C
 Transmission characteristics (category): CAT6_A

Product Specification see: PS-120341-001

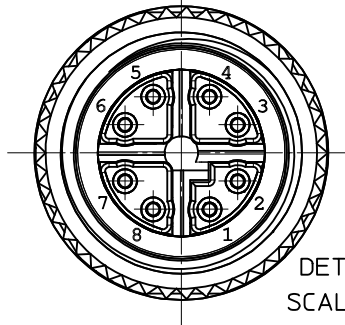
Packaging:
 The cordsets delivered packed into Carton.

Wiring Diagram
 Conection: INLINE

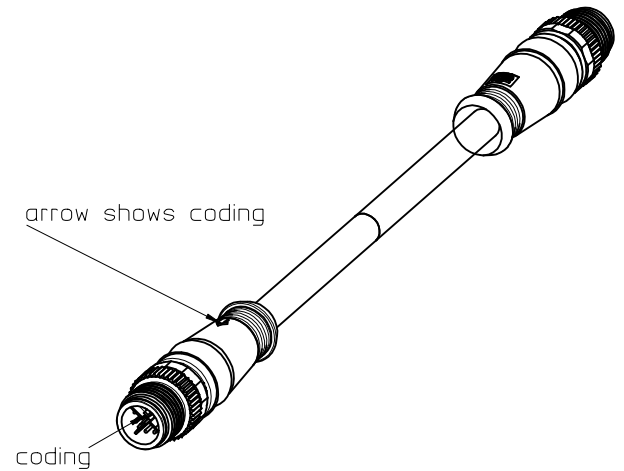


Material Number	Length L [m]
1203410312	0,25
1203410300	0,50
1203410301	1
1203410313	1,50
1203410302	2
1203410303	3
1203410304	4
1203410305	5
1203410306	10
1203410307	15
1203410308	20

Connector pin assigment
 Plug M12 CAT6_A
 pin side view



DETAIL-1
 SCALE 4:1



7	CABLE	PUR	BLUE
6	OVERMOULD	PUR	BLACK
5	SHIELDING SHELL	ZINC DIE-CAST	NICKEL PLATED
4	SHIELDING CROSS	ZINC DIE-CAST	NICKEL PLATED
3	CONTACT	BRASS	GOLD OVER NICKEL
2	INSERT	PA	BLACK
1	COUPLING NUT	BRASS	NICKEL PLATED
POS	DESCRIPTION	MATERIAL	FINISH

ENTER DESCRIPTION EC NO: IPG2016-0348 DRW:RSCHIEBER 2015/09/23 CHKD:THAERT 2017/01/10 APPR:RSILLER 2017/01/13	QUALITY SYMBOLS ▽=0 ◻=0	GENERAL TOLERANCES (UNLESS SPECIFIED)		DIMENSION STYLE MM ONLY		SCALE 1:1	DESIGN UNITS METRIC	THIRD ANGLE PROJECTION			
		4 PLACES ± --- ± --- 3 PLACES ± --- ± --- 2 PLACES ± 0.05 ± --- 1 PLACE ± 0.30 ± --- 0 PLACE ± 0.50 ± ---	mm INCH ± --- ± --- ± 0.05 ± --- ± 0.30 ± --- ± 0.50 ± ---	DRAWN BY NSTAUDIGEL	DATE 10.09.09	TITLE CSE M12 CAT6A 8P XC MA STR PUR XM DE SHLD BU					
		ANGULAR ± 1.0°		APPROVED BY FPACHER	DATE 2010/05/27	molex					
		DRAFT WHERE APPLICABLE MUST REMAIN WITHIN DIMENSIONS		MATERIAL NO. SEE TABLE		DOCUMENT NO. SD-120341-300	SHEET NO. 1 OF 1				

THIS DRAWING CONTAINS INFORMATION THAT IS PROPRIETARY TO MOLEX INCORPORATED AND SHOULD NOT BE USED WITHOUT WRITTEN PERMISSION