

1000W to 1500W Single Output General Purpose Power Supplies

Features

- ◆ Cost Effective
- ◆ Wide Range AC Input 85 - 265VAC
- ◆ Enclosed Construction
- ◆ Compact Sizes
- ◆ SEMI F47 Line Dips
- ◆ 7 Year Warranty



Key Market Segments & Applications



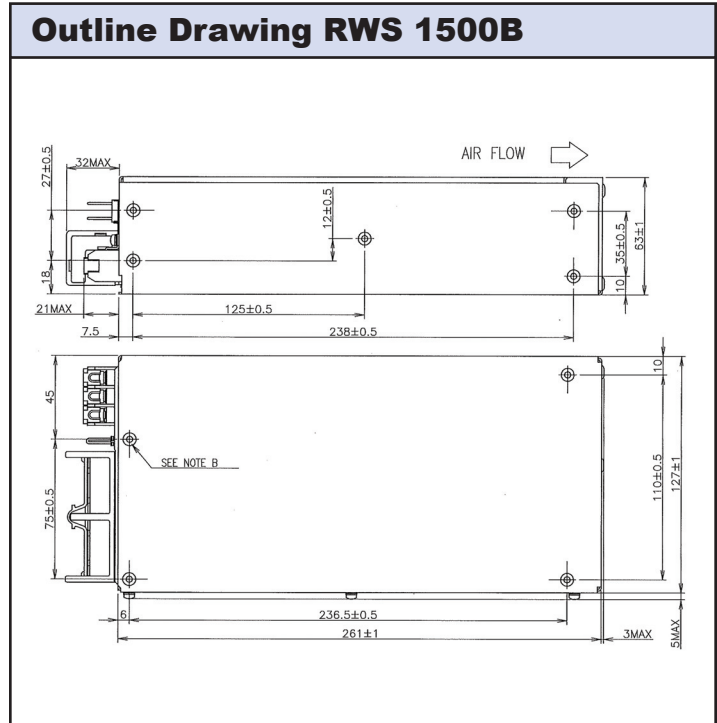
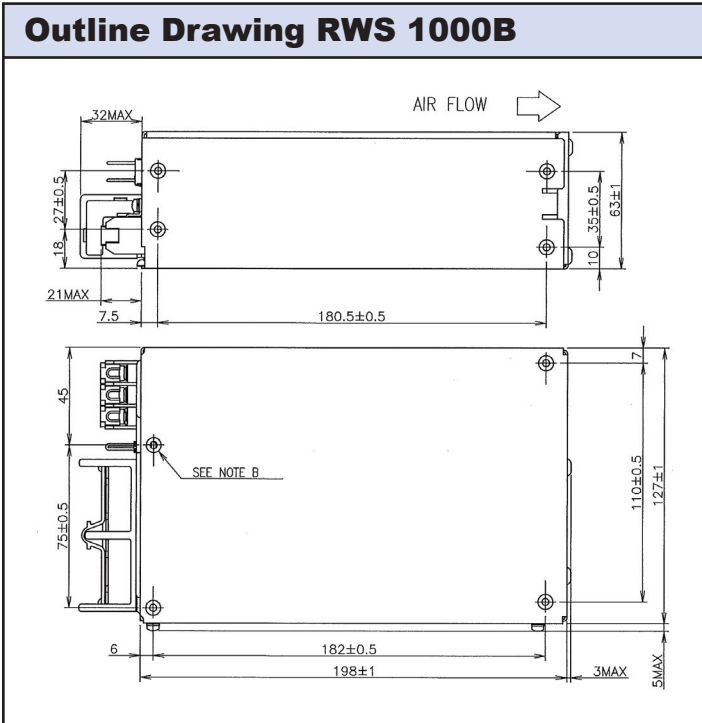
Specifications			
Model		RWS1000B	RWS1500B
AC Input Voltage range (1)	VAC	85 - 265VAC (47 - 63Hz)	
DC Input Voltage range*	VDC	120 - 340VDC*	
Inrush Current (100 / 200VAC)	A	60 / 60A	
Power Factor (100 / 200VAC)	-	Meets EN61000-3-2 (0.98 / 0.95)	
Input Current (100/200VAC) (Typ)	A	13 / 7A	19 / 10A
Temperature Coefficient	%/°C	<0.02%/°C	
Regulation	-	See Model Selector	
Overcurrent Protection	-	>105%, Constant Current Style. After 5s unit will shutdown	
Overvoltage Protection	V	120-145% (115-125% for 48V), Cycle AC line to reset	
Hold Up Time (Typ at 100% load)	ms	20ms	
Leakage Current (max)	mA	<1.2mA	
Remote Sense	-	Yes	
Remote On/Off	-	See options table	
DC Good, Fan Alarm	-	See options table	
Parallel Operation	-	See options table	
Series Operation	-	Yes	
Operating Temperature	°C	-20 to +60°C, derate linearly to 60% load from 50 to 60°C	
Storage Temperature	°C	-30 to +75°C	
Operating Humidity (non condensing)	%RH	20 - 90%RH	
Storage Humidity (non condensing)	%RH	10 - 90%RH	
Cooling	-	Internal Fan, air intake from input/output terminals	
Withstand Voltage	VAC	Input to Ground 2kVAC, Input to Output 4kVAC, Output to Ground 1.5kVAC for 1 min.	
Isolation Resistance	MΩ	>100MΩ at 25°C & 70%RH, Output to Ground 500VDC	
Vibration (non operating)		10 - 55Hz: 19.6m/s ² (sweep 1 min) X, Y, Z for 1 hour	
Shock	-	< 196.1 m/s ²	
Safety Agency Certifications	-	UL60950-1, CSA60950, EN60950-1, CE Mark	
Line Dips	-	SEMI-F47 (200VAC input)	
Conducted & Radiated EMI	-	EN55011 / EN55032-B, FCC Class B, VCCI-B	
Immunity	-	IEC61000-4-2, -3, -4, -5, -6, -8, -11, IEC61000-6-2	
Weight (Typ)	g	2,000g	3,000g
Size (WxHxD)	mm	127 x 63 x 198mm	127 x 63 x 261mm
	In	5 x 2.48 x 7.8"	5 x 2.48 x 10.28"
MTBF - Telcordia SR-332 issue 3**	hours	1,834,313	1,222,361
Warranty	yrs	Seven Years	

*Safety certified for AC input only

**24V output model, 25°C ambient, full load, 230VAC input

(1) Derate linearly to 80% load from 90 to 85VAC input

Output Ratings								
Model	Voltage	Adjust Range (V)	Max Current (A)	Max Output Power (w)	Load Reg (mV)	Line Reg (mV)	Ripple Noise (mV)	Efficiency (typ) % 115/230VAC
RWS1000B-12	12V	10.2-13.8V	84	1008	96	48	150	82 / 85
RWS1500B-12	12V	10.2-13.8V	125	1500	96	48	150	81 / 85
RWS1000B-15	15V	12.8-17.2V	67	1005	120	60	150	82 / 85
RWS1500B-15	15V	12.8-17.2V	100	1500	120	60	150	82 / 85
RWS1000B-24	24V	20.4-27.6V	42	1008	144	96	180	85 / 88
RWS1500B-24	24V	20.4-27.6V	63	1512	144	96	180	85 / 88
RWS1000B-36	36V	30.6-41.4	28	1008	216	144	250	85 / 88
RWS1500B-36	36V	30.6-41.4	42	1512	216	144	250	85 / 88
RWS1000B-48	48V	40.8-52.8	21	1008	288	192	300	85 / 88
RWS1500B-48	48V	40.8-52.8	32	1536	288	192	300	85 / 88



Options

Suffix	Description
/CO2	Double Sided Board Coating
/R	Remote On/Off
/RF	Reverse Fan (Air exits over input/output terminals)
/RFO	Remote On/Off, Parallel Operation, DC Good and Fan Alarm Signals

Other TDK-Lambda Industrial Products

HWS	15W to 1500W Single output
LS	25W to 200W Single output low cost
SWS-L	600W to 1000W Single output, full featured

For Additional Information, please visit us.tdk-lambda.com/lp/products/rwsb-series.htm

