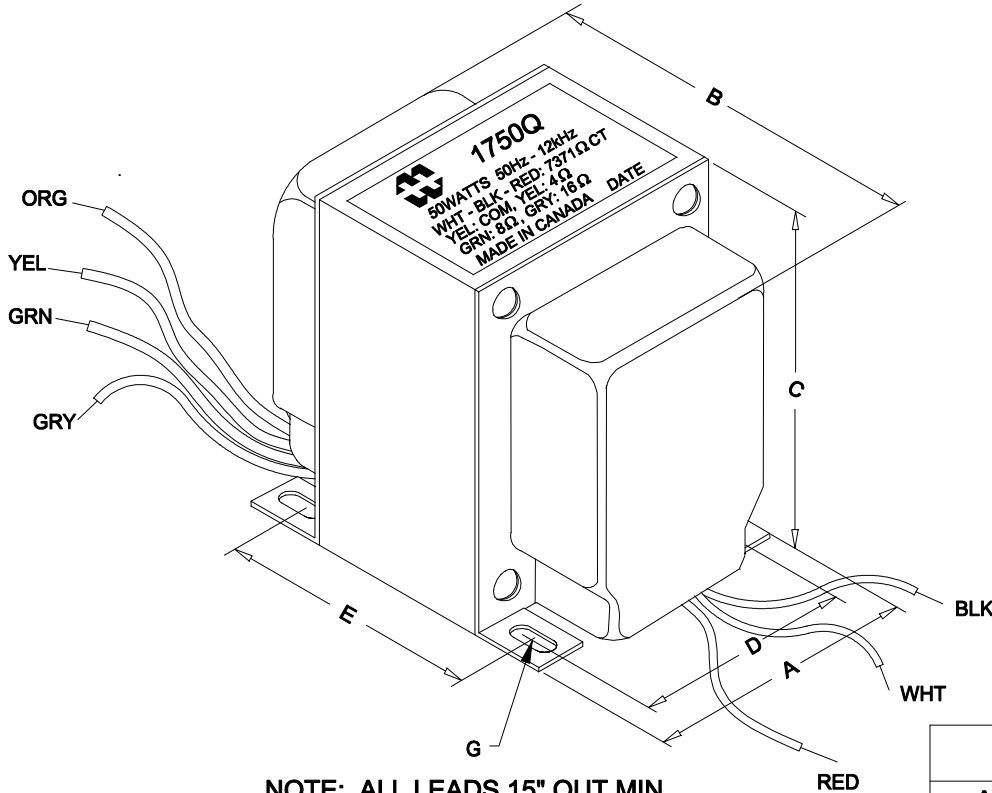


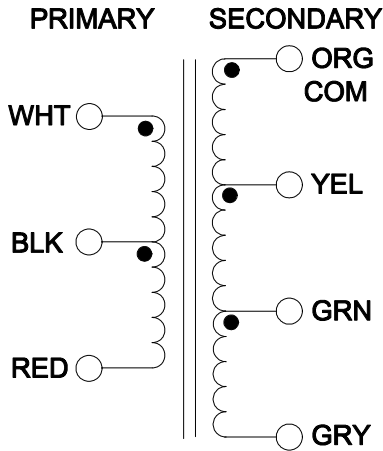
1750Q



NOTE: ALL LEADS 15" OUT MIN

DIMENSIONS:

A	3.125" ±0.063
B	3.280" ±0.125
C	3.750" ±0.063
D	2.500" ±0.063
E	2.440" ±0.063
G	0.188"X 0.406" ±0.015



ELECTRICAL DATA:

Turns ratio:	21.46 : 1
Inductance	@240V,50Hz =>136.42H (Open circuit)
DCR	@ 20C, WHT - BLK =81.61 Ω ±20%
	@ 20C, BLK - RED =78.63 Ω ±20%
	@ 20C, ORG - YEL =0.27 Ω ±20%
	@ 20C, YEL - GRN =0.12 Ω ±20%
	@ 20C, GRN -GRY =0.19 Ω ±20%
FREQ. RESP	@ 50W (424V), 50Hz - 12kHz, BLU - RED ±1db (1kHz Ref.)
Pri. Impedance	7371 Ω (Plate - Plate) (424V)
Sec. Impedance	4 Ω (14.1V 3.5A) / 8 Ω (20V 2.5A) / 16 Ω (28.3V 1.8A)
Power	50 WATTS



52 RANKIN PLACE,
WATERLOO, ONTARIO, N2L 3Z5.
PHONE (519) 886-6181
FAX # (519) 886-9540

TITLE

OUTPUT TRANSFORMER

1750Q

			DR BY IOAN POP
0	05/11/09	PRELIMINARY.	I.P. DATE 05/11/09
NO	DATE	REVISION	DIM IN(X)MM()