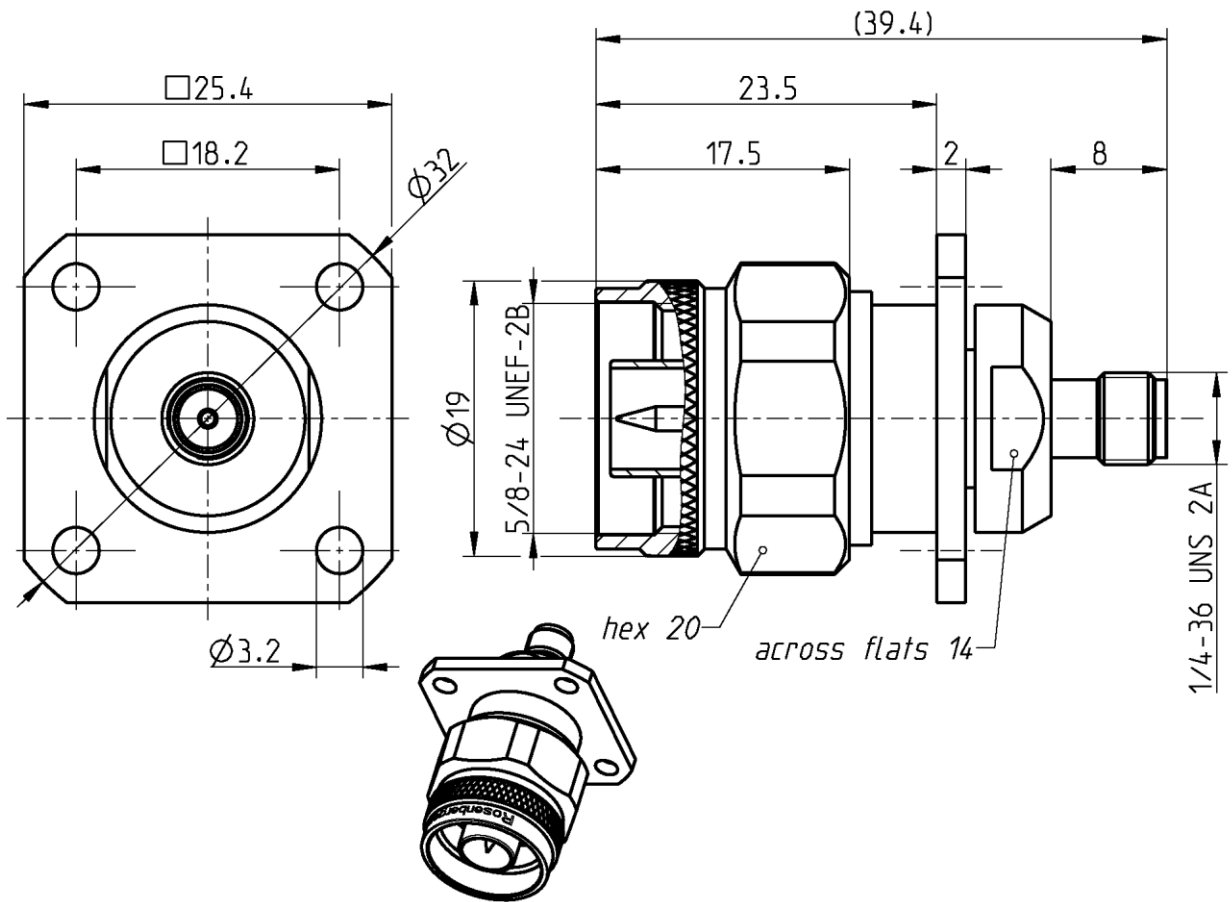


Adaptor
RPC-N 50 Ω plug – SMA jack

05S432-K00S3



All dimensions are in mm; tolerances according to ISO 2768 m-H

Interface

RPC-N according to
SMA according to
SMA mechanically compatible

IEC 61169-16; MIL-STD 348A/402
IEC 60169-15; EN 122110; MIL-STD 348A/310
RPC-2.92 and RPC-3.50

Documents

Panel piercing

B 12

Material and plating

Connector parts

Center contact
Outer contact
Coupling nut
Dielectric 1
Dielectric 2

Material

CuBe
Stainless steel
Stainless steel
PPE
PTFE

Plating

Gold, min. 1.27 μm, over chemical nickel
Passivated
Passivated

Adaptor
RPC-N 50 Ω plug – SMA jack

05S432-K00S3

Electrical data

Impedance	50 Ω
Frequency	DC to 18 GHz
Return loss	≥ 23 dB, DC to 18 GHz
Insertion loss	≤ 0.1 x $\sqrt{f(\text{GHz})}$ dB
Insulation resistance	≥ 5 GΩ
Test voltage (at sea level)	1000 V rms
Working voltage (at sea level)	480 V rms
RF-leakage	≥ 90 dB up to 1 GHz

Mechanical data

Mating cycles	≥ 500
Center contact captivation	≥ 28 N
Coupling test torque RPC-N	1.70 Nm
Recommended torque RPC-N	0.70 Nm to 1.10 Nm
Coupling test torque SMA	1.70 Nm
Recommended torque SMA	0.80 Nm to 1.10 Nm

Environmental data

Temperature range	-40°C to +85°C
Thermal shock	IEC 61169-1, Subclause 9.4.4
Corrosion	IEC 61169-1, Subclause 9.4.6
Vibration	IEC 61169-1, Subclause 9.3.3
Shock	IEC 61169-1, Subclause 9.3.14
Moisture resistance	IEC 61169-1, Subclause 9.4.3
RoHS	compliant

Tooling

N/A

Suitable cables

N/A

Weight

49.8 g/pce

While the information has been carefully compiled to the best of our knowledge, nothing is intended as representation or warranty on our part and no statement herein shall be construed as recommendation to infringe existing patents. In the effort to improve our products, we reserve the right to make changes judged to be necessary.

Draft	Date	Approved	Date	Rev.	Engineering change number	Name	Date
H. Babinger	15.02.05	F. Reiner	02.07.18	c01	18-1026	M. Ruf	29.06.18

Rosenberger Hochfrequenztechnik GmbH & Co. KG
P.O.Box 1260 D-84526 Tittmoning Germany
www.rosenberger.de

Tel. : +49 8684 18-0
Email : info@rosenberger.de

Page

2 / 2