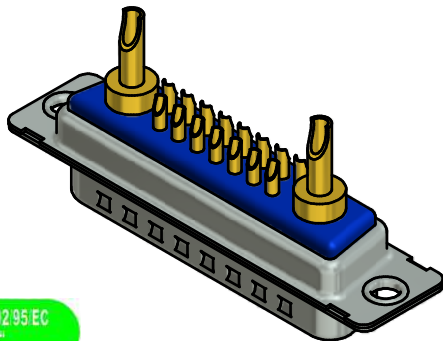
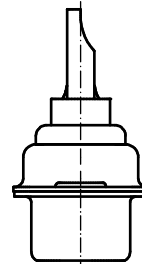
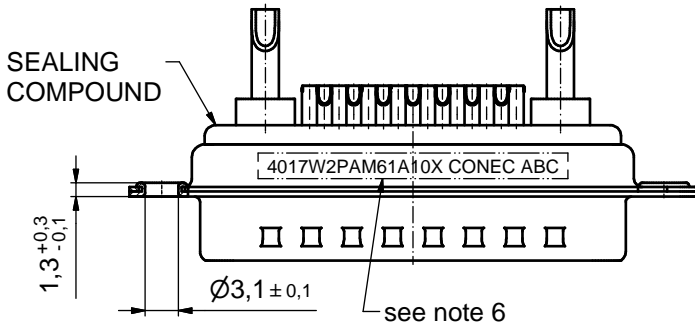
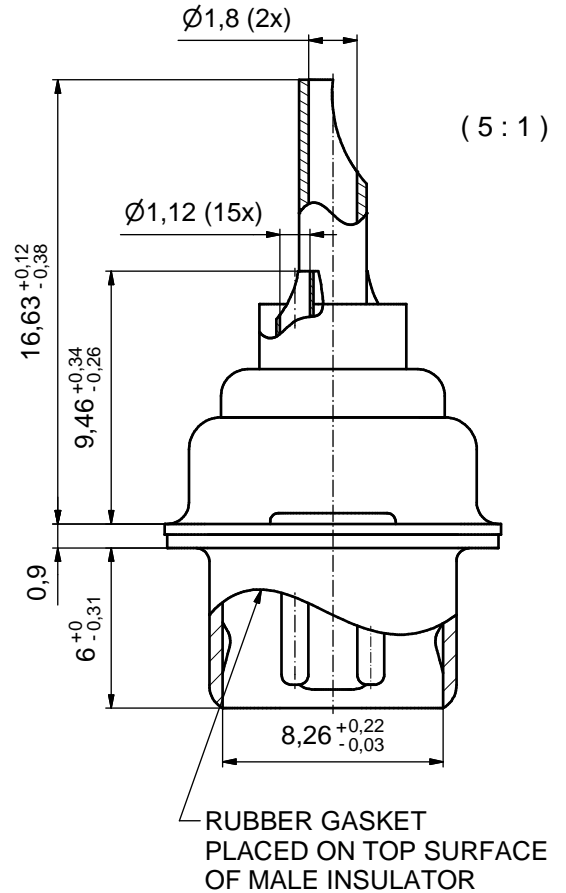
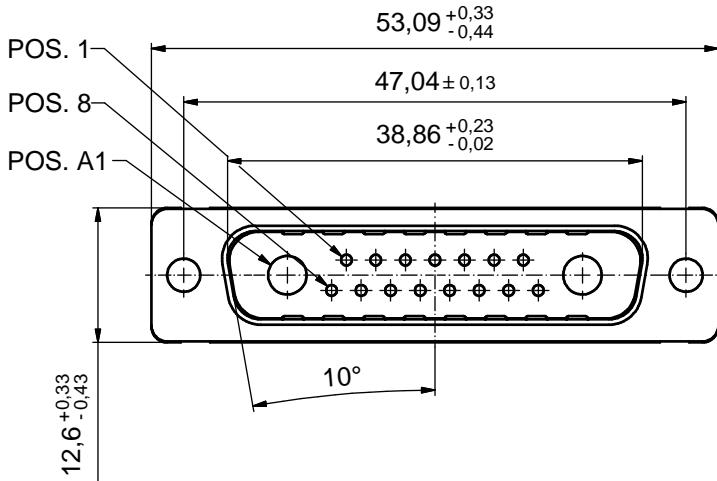


**NOTES:**

1. METALSHELLS: COPPER ALLOY; min. 315µin TIN over 40-80µin NICKEL
2. INSULATORS: PBT GF UL 94 V-0; GREEN
3. SIGNAL CONTACTS: COPPER ALLOY; PLATING: GOLD FLASH over NICKEL  
SOLDER CUP ACCEPTS CABLE AWG 20
4. HIGH POWER CONTACTS 10A: COPPER ALLOY  
PLATING MATING AREA: GOLD FLASH over NICKEL  
PLATING TERMINATION SIDE: GOLD FLASH over NICKEL  
SOLDER CUP ACCEPTS CABLE AWG 16 - 20
5. RUBBER GASKET: TPE; BLACK
6. CONNECTOR IS PART MARKED: 4017W2PAM61A10X CONEC ABC



**Solder Instruction**

1. Cable should be prepared for soldering. The cable/wires must be pretinned.
2. Insert cable/wire into solder cup.
3. Signal Contact
  - 3.1. Operate the soldering iron at 350°C, 50 Watt max. and use a pencil tip.
  - 3.2. Put tip to wire in solder cup.
  - 3.3. After 1 second bring in solder.
  - 3.4. Heat for 3 seconds longer. Do not heat contact more than 4 seconds in total.
4. Power Contact
  - 4.1. Operate the soldering iron at 350°C, 100 Watt max. and use a pencil tip.
  - 4.2. Put tip to wire in solder cup.
  - 4.3. After 1 second bring in solder.
  - 4.4. Heat for 5 seconds longer. Do not heat contact more than 6 seconds in total.
5. Remove soldering iron.
6. Wait until solder gets rigid again.
7. Do not solder adjacent contacts consecutively, alternate position within the connector to minimize heat build up.

Directive 2002/95/EC  
RoHS  
Compliant

|   |   |
|---|---|
| APPROVAL # FREIGABE # DEBLOCAGE # AUTORIZACION # APPROVAL | APPROVAL # FREIGABE # DEBLOCAGE # AUTORIZACION # APPROVAL |
| CUSTOMER APPROVAL DATE:                                   |   |
| NAME:   | TITLE:  |
| COMPANY NAME:   |   |
| APPROVAL # FREIGABE # DEBLOCAGE # AUTORIZACION # APPROVAL | APPROVAL # FREIGABE # DEBLOCAGE # AUTORIZACION # APPROVAL |

|   |             |                     |      |                |          |  |                     |  |
|---|-------------|---------------------|------|----------------|----------|--|---------------------|--|
| THIS DRAWING MAY NOT BE COPIED OR REPRODUCED IN ANY WAY, AND MAY NOT BE PASSED ON TO A THIRD PARTY WITHOUT WRITTEN PERMISSION. OWNERSHIP AND COPYRIGHT OF CONEC GmbH DO NOT ALTER CAD DRAWING BY HAND |             |                     |      | tolerance      |          | <br>dim. in mm   | scale: 2:1 (5:1)    |  |
|   |             |                     |      | date           |          |  | material: see notes |  |
|   |             |                     |      | drawn          | 15.10.10 |  | name                |  |
|   |             |                     |      | appd.          | 15.10.10 |  | Schmidt             |  |
| norm  |             | Koch                |      | title:         |          | <b>D-SUB COMBINATION MALE</b><br>17W2P<br>for installation into water resistant hood |                     |  |
| d-old   |             | dwg no: Inventor 10 |      | DIN-A3         |          |  |                     |  |
| a Origin  |             | 15K1A732            |      | sh: 1          |          |  |                     |  |
| rev.  | description | date                | name | <b>CONEC</b> ® |          | part no: 4017W2PAM61A10X   |                     |  |