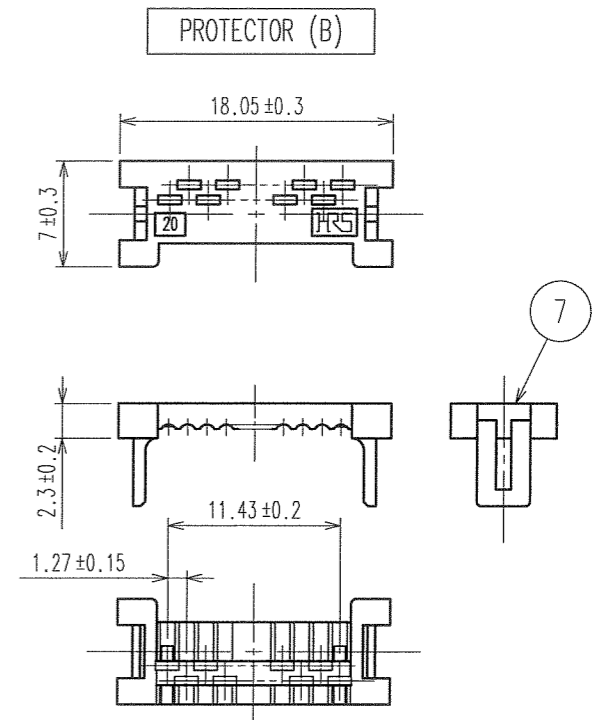
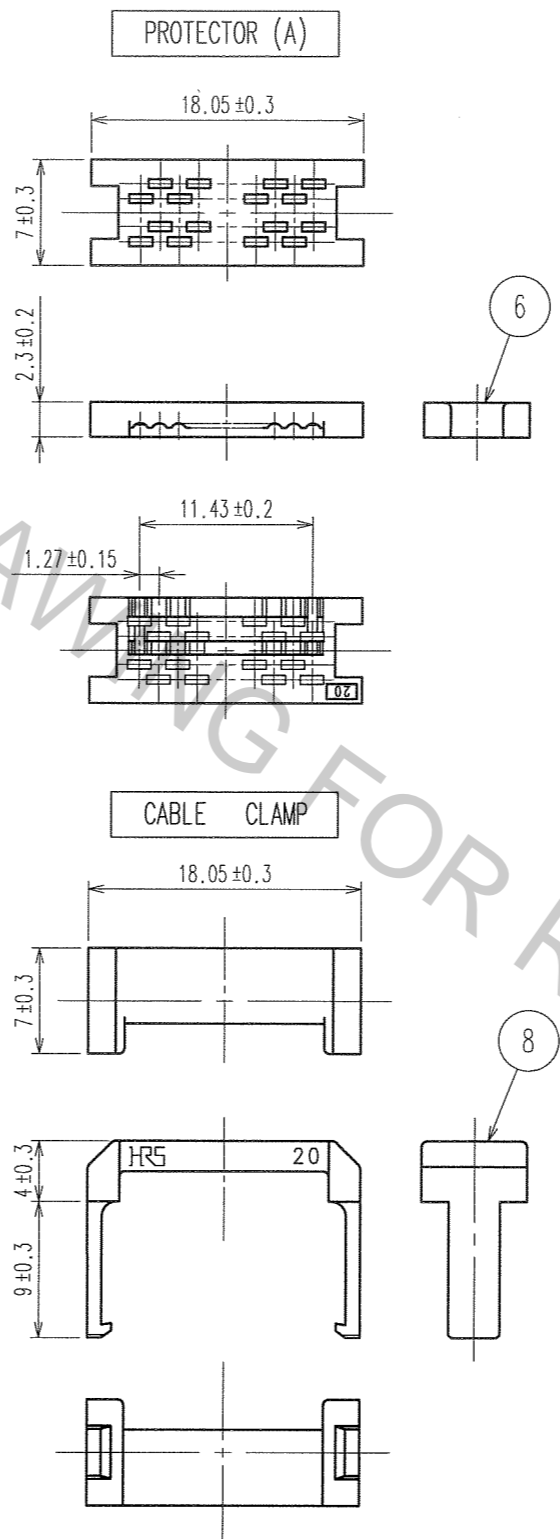
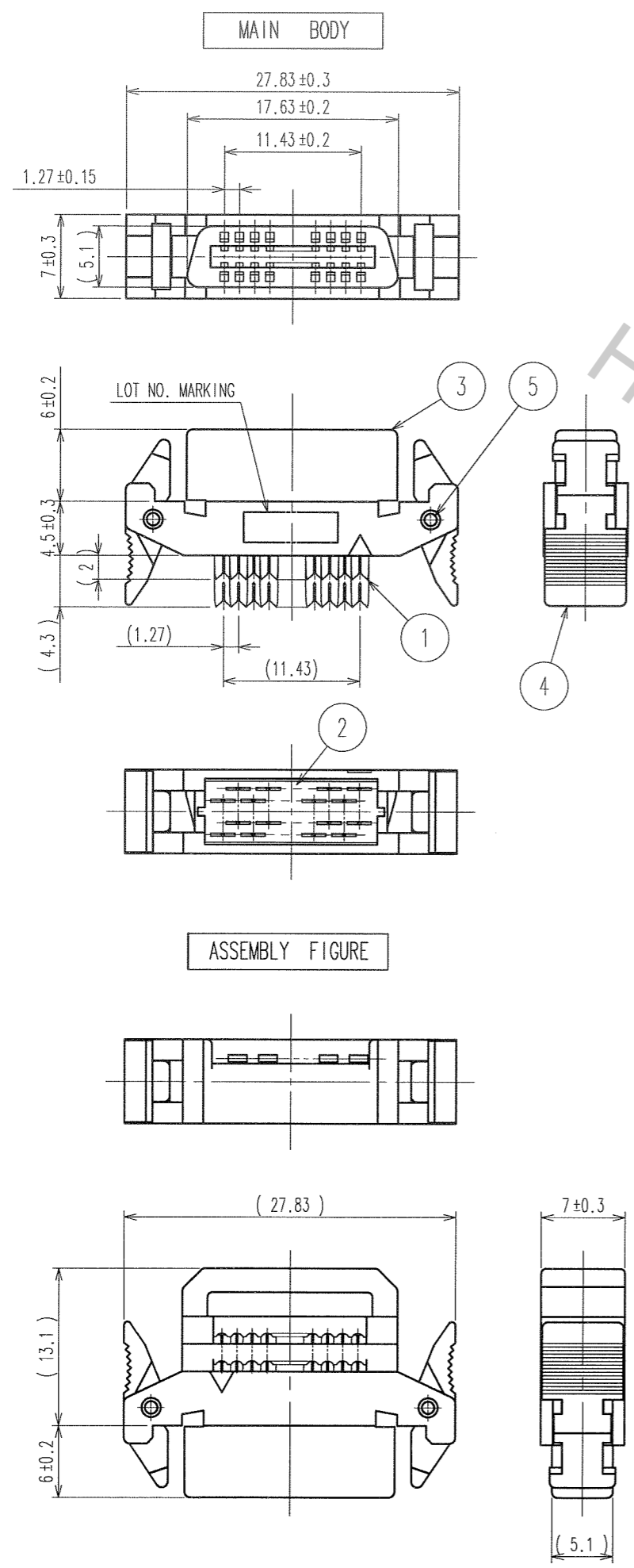


Apr.1.2017 Copyright 2017 HIROSE ELECTRIC CO., LTD. All Rights Reserved.

COUNT	DESCRIPTION OF REVISIONS	BY	CHKD	DATE	COUNT	DESCRIPTION OF REVISIONS	BY	CHKD	DATE
△				..	△				..
△				..	△				..
△				..	△				..



NOTE 1 COMPONENTS OF REF. NO.6~8 ARE APPENDED PRODUCTS.
 2 THE DIMENSIONS IN PARENTHESES ARE FOR REFERENCE.

NO.	MATERIAL	FINISH, REMARKS
8	PA	BLACK UL94V-0
6,7	PBT	BLACK UL94V-0
5	STAINLESS STEEL	
2~4	PBT	BLACK UL94V-0
1	PHOSPHOR BRONZE	CONTACT AREA:GOLD FLASH UNDER PLATING:NICKEL 1μm min.

TO
PCK

CODE NO. (OLD) CL	DRAWN A. SUZUKAWA 06.05.18	DESIGNED <i>M. Nakamura</i> 06.05.20	CHECKED <i>(Signature)</i> 06.05.20	APPROVED <i>H. Okawa</i> 06.05.20	RELEASED ..
SCALE 2:1	DRAWING NO. EDC3-150610	PART NO. FX2B-20SA-1.27R		CODE NO. CL572-0621-2	
UNITS mm	HRS HIROSE ELECTRIC CO., LTD		1/1		