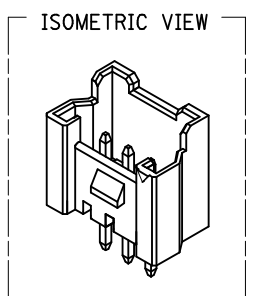
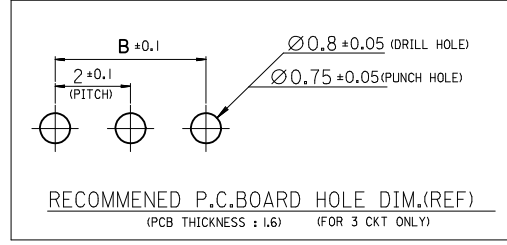
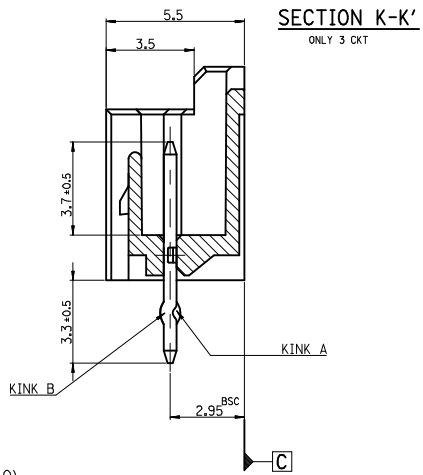
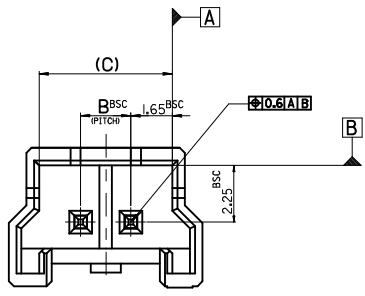


FOR 2 & 3 CKTS.



**LEGEND**

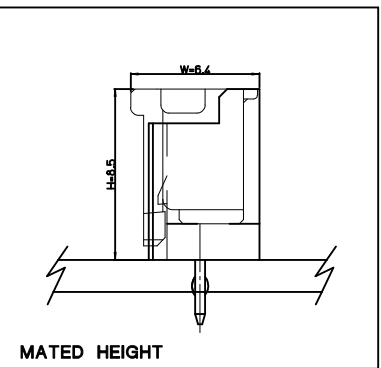
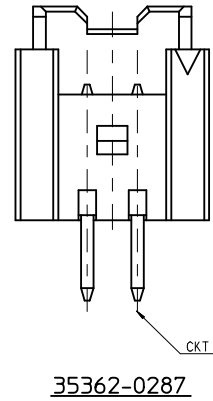
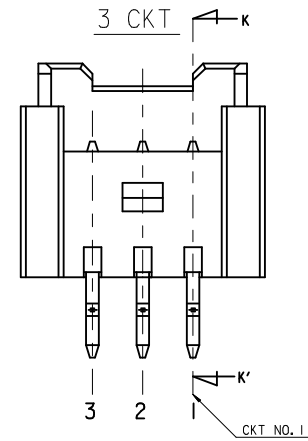
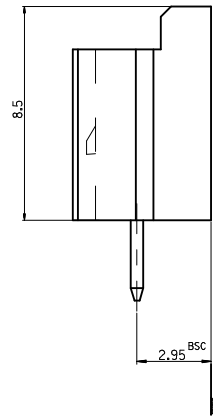
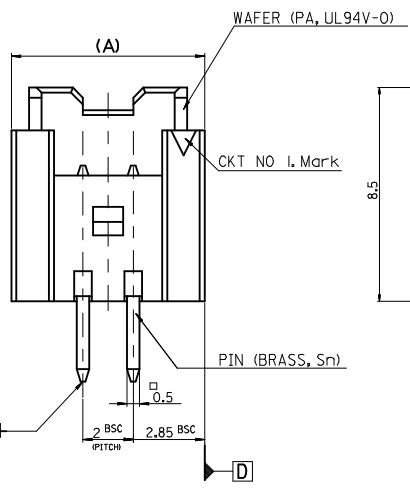
SD-35362-\*\*\*  
 CKT NO. \_\_\_\_\_ COLOR \_\_\_\_\_

FINAL GOOD (BULK)	5 : SELECTIVE KINK (LEAD FREE)	COLOR	0 : NATURAL
SUB ASSY (TUBE)	6 : NONE KINK (LEAD FREE)		1 : BLACK
	7 : SELECTIVE KINK (LEAD FREE)		2 : RED
	8 : NONE KINK (LEAD FREE)		3 : YELLOW
			4 : BLUE
			5 : GREEN
			6 : TUBE PACKING (Natural Color)
			7 : TUBE PACKING (Red Color)
			8 : TUBE PACKING (Blue Color)

- NOTES**
- MATERIAL : UNFILLED POLYAMIDE, UL94V-0  
PIN : BRASS
  - FINISHES : PIN : Tin(Sn) 1-3µm OVERALL
  - PRODUCT SPECIFICATION : PS-35507-003
  - MATING HOUSING : 35507-\*\*\*0\*  
MATING TERMINAL : 50212-8000
  - KINK

CKT NO	1	2	3
2 CKT			
3 CKT	A	B	A

CKT NO	1	2
PRODUCT NO.		
35362-0287	A	B



7.3	4	9.7	3536203**	35362-03**	3
5.3	2	7.7	3536202**	35362-02**	2
(C)	B	(A)	MATERIAL NO.	ENG. NO.	CKT

**LEAD FREE**

30 over	±0.3
10 over 30 under	±0.25
10 under	±0.2
ANGLE	±3°
GENERAL TOLERANCE	

REVISED  
 EC NO: KOR2015-0019  
 T1 DRW: NAKT1M01 2014/08/25  
 CHYKD: HSKIM 2014/08/26  
 APPR: YSKIM02 2014/09/03

QUALITY SYMBOLS  
 F=0  
 F=0  
 F=0

GENERAL TOLERANCES (UNLESS SPECIFIED)

	mm	INCH
4 PLACES	±---	±---
3 PLACES	±---	±---
2 PLACES	±---	±---
1 PLACE	±---	±---
0 PLACE	±	±
ANGULAR ±---°		

DRAFT WHERE APPLICABLE MUST REMAIN WITHIN DIMENSIONS

DIMENSION STYLE  
**MM ONLY**

DRAWN BY: YSOOKIM DATE: 1996/09/11  
 CHECKED BY: JKOH DATE: 1996/09/11  
 APPROVED BY: \_\_\_\_\_ DATE: \_\_\_\_\_

MATERIAL NO. \_\_\_\_\_  
**SEE TABLE**

SIZE: **A3**

SCALE: **5:1**

DESIGN UNITS: **METRIC**

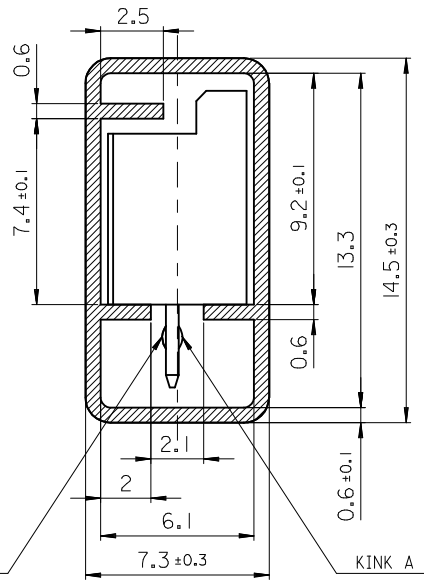
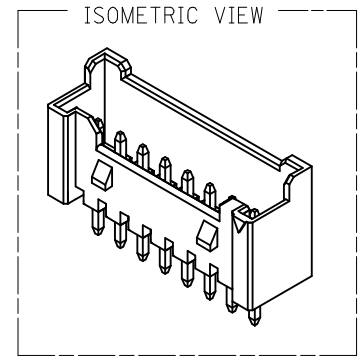
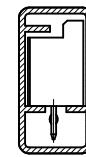
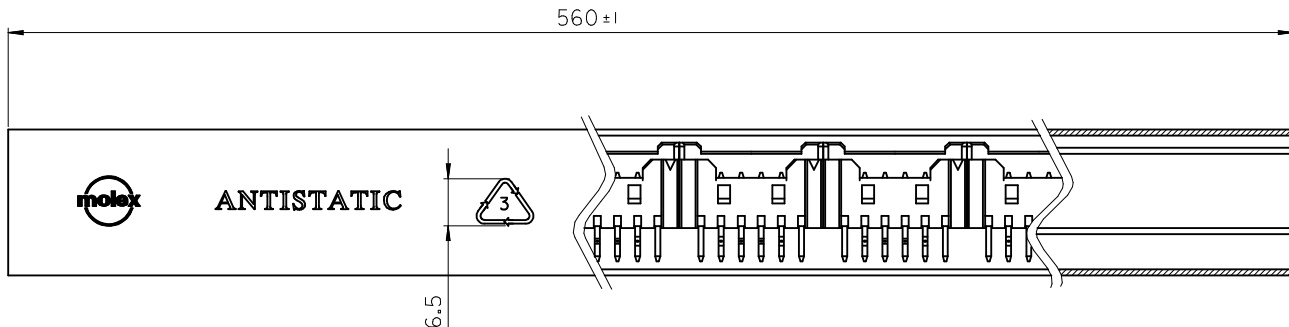
THIRD ANGLE PROJECTION

TITLE: **2.0 W/B WAFER ASS'Y -LEAD FREE-**

**molex**

DOCUMENT NO. **SD-35362-002** SHEET NO. **1 OF 1**

THIS DRAWING CONTAINS INFORMATION THAT IS PROPRIETARY TO MOLEX INCORPORATED AND SHOULD NOT BE USED WITHOUT WRITTEN PERMISSION



**LEGEND.**

E-35362-\*\*\* \*\*

2-20 Circuits-**CKT NO.**

Final GOOD (Bulk) — 5 : SELECTIVE KINK  
6 : NONE KINK

Sub Assy (Tube) — 7 : SELECTIVE KINK  
8 : NONE KINK

**COLOR & PACKING**

0 : NATURAL  
1 : BLACK  
2 : RED  
3 : YELLOW  
4 : BLUE  
5 : GREEN  
6 : TUBE PACKING (Natural Color)  
7 : TUBE PACKING (RED Color)  
8 : TUBE PACKING (BLUE Color)

**KINK**

**NOTES**

- MATERIAL : TUBE - TRANSLUCENT P.V.C (P-1000)  
Wafer - POLYAMIDE, UL94V-0  
PIN - BRASS SQ 0.5mm
- BOW(CAMBER) : 1.0mm MAX/Total Length
- DIMENSIONS GIVEN ACROSS CENTER LINES ARE SYMMETRICAL ABOUT THOSE CENTER LINES WITH HALF THE TOTAL LENGTH.
- TOTAL TUBE LENGTH : 560mm + -1mm
- TWIST : 5° MAX./Total Length
- BURRS : 0.2mm MAX.
- SKREW : PRODUCTS MUST BE FLOWED SMOOTHLY WHEN THIS STICK IS PLACES 30° ANGLE.
- THICKNESS : 0.6mm + -0.1mm
- ARTWORK : PER E-35900-0434 (SILK SCREEN COLOR : RED)
- APPLICABLE STOPPER(RUBBER) : 35900-0435

**TABLE**

10	20**	-20**	20
10	19**	-19**	19
10	18**	-18**	18
10	17**	-17**	17
15	16**	-16**	16
15	15**	-15**	15
15	14**	-14**	14
15	13**	-13**	13
15	12**	-12**	12
20	11**	-11**	11
20	10**	-10**	10
25	09**	-09**	9
25	08**	-08**	8
30	07**	-07**	7
35	06**	-06**	6
40	05**	-05**	5
50	04**	-04**	4
60	03**	-03**	3
70	3536202**	35362-02**	2
QT'y	Material NO.	ENG. NO.	CKT

KINK TABLE(FOR 35362-\*\*\*\*)

CKT NO	1	2	3	4	5	N-2	N-1	N
6 CKT OVER	-	A	B	-	-	B	A	-
5 CKT	A	B	-	B	A	/	/	/
4 CKT	A	B	B	A	/	/	/	/
3 CKT	A	B	A	/	/	/	/	/
2 CKT	None	Kink	/	/	/	/	/	/

\*\* 35362-0287 IS ONLY KINKED 2P

CKT NO	1	2
PRODUCT NO.	35362-0287	A B

LEAD FREE

REVISED EC NO: KOR2014-0116 DRW/CHK/IM01 2014/04/14 CH/KD: APPR: YSK/IM02 2014/04/17	QUALITY SYMBOLS	GENERAL TOLERANCES (UNLESS SPECIFIED)	DIMENSION STYLE	SCALE	DESIGN UNITS	THIRD ANGLE PROJECTION
	$F_A=0$ $F_B=0$ $F_C=0$	mm INCH 4 PLACES ± --- ± --- 3 PLACES ± --- ± --- 2 PLACES ± --- ± --- 1 PLACE ± 0.2 ± --- 0 PLACE ± --- ±	MM ONLY	5:1	METRIC	DRAWN BY: YS00KIM DATE: 2000/12/11 CHECKED BY: JKOH DATE: 2000/12/11 APPROVED BY: _____ DATE: _____
		ANGULAR ± 1°	MATERIAL NO.	TITLE		
		DRAFT WHERE APPLICABLE MUST REMAIN WITHIN DIMENSIONS	9999999999	2.0 W/B WAFER ASS'Y TUBE PACKING -LEAD FREE- <b>molex</b>		
			DOCUMENT NO.	SD-35362-003		SHEET NO. 1 OF 1
			THIS DRAWING CONTAINS INFORMATION THAT IS PROPRIETARY TO MOLEX INCORPORATED AND SHOULD NOT BE USED WITHOUT WRITTEN PERMISSION			