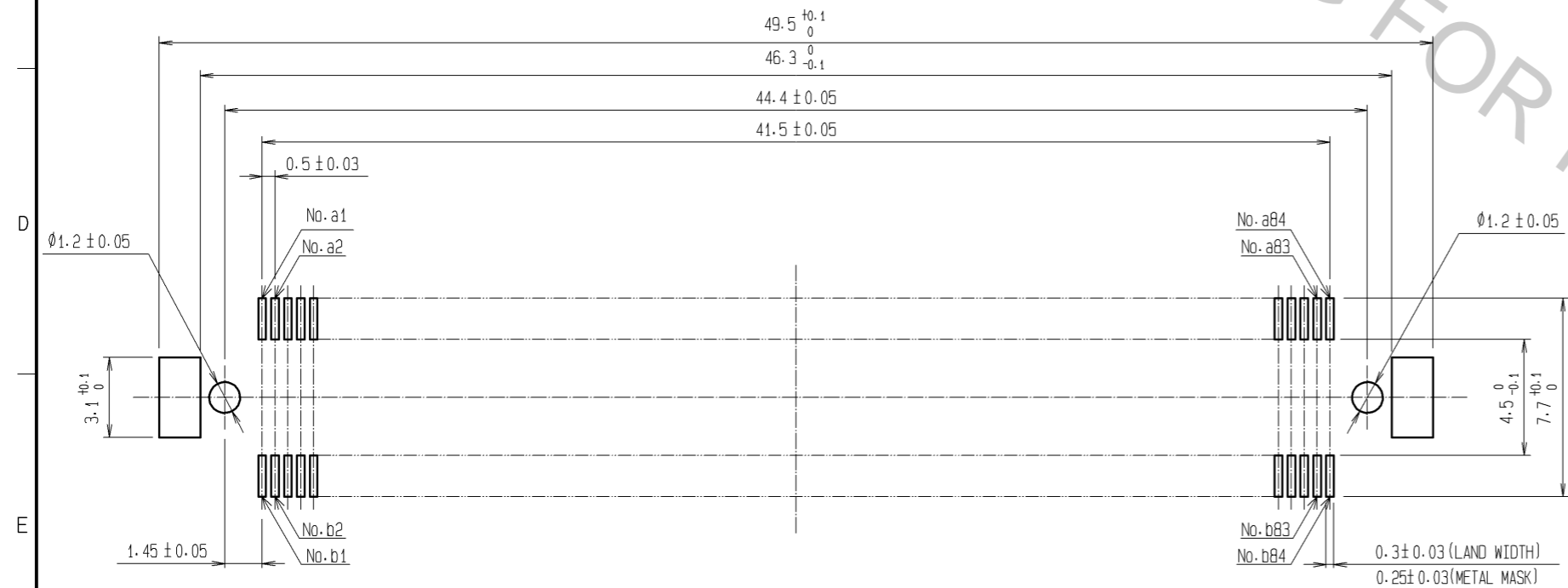


RECOMMENDED LAND PATTERN DIMENSION OF PCB
(RECOMMENDED METAL MASK THICKNESS: 0.15mm)



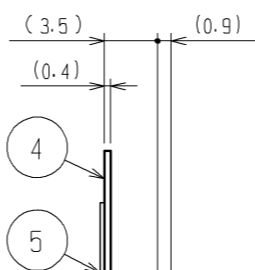
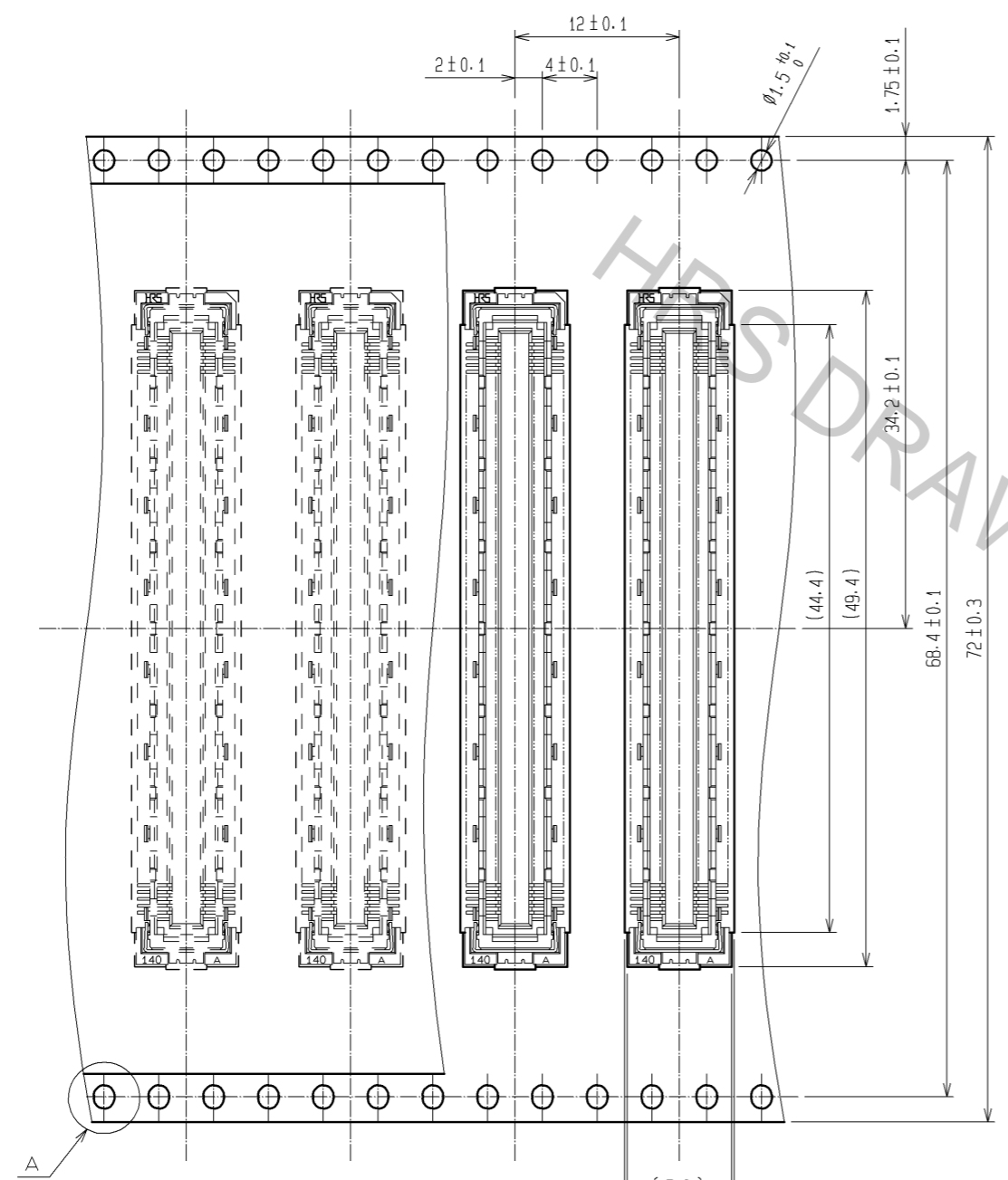
STACKING HEIGHT

	FX10A-168S-SV(85)	
	4 > (A)	5 > B
FX10A(B)-168P-SV(**)	4	4.3 ± 0.127
FX10A(B)-168P-SV1(**)	5	5.3 ± 0.127
FX10A(B)-168P-SV2(**)	6	6.0 ± 0.127
FX10A(B)-168P-SV3(**)	7	7.0 ± 0.127
FX10A(B)-168P-SV4(**)	8	8.0 ± 0.127

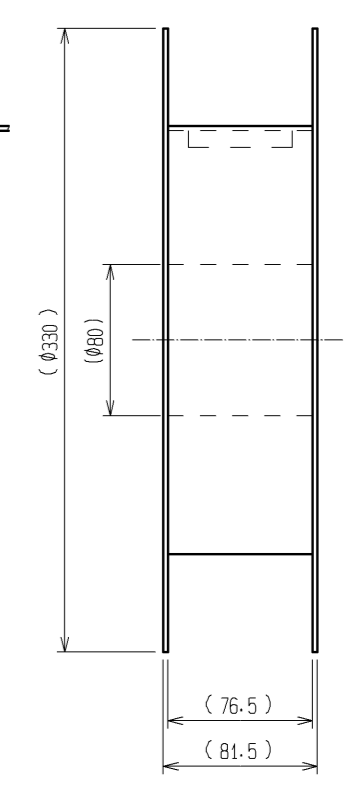
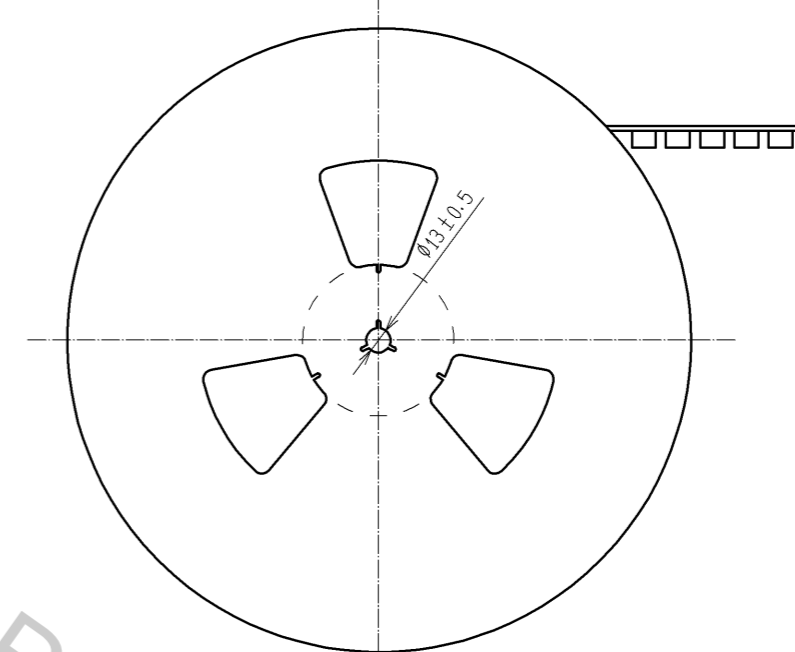
- NOTES
- SMT LEAD-COPLANARITY: 0.1 MAX.
 - THIS PRODUCT HAS NO POLARITY TO PATTERN FOR MOUNTING.
 - THE DIMENSIONS IN PARENTHESES ARE FOR REFERENCE.
 - STACKING HEIGHT FROM LEAD TO LEAD(REFERENCE DIMENSIONS)
 - BOARD DISTANCE
 - AREA IS VACUUM PICKUP AREA FOR REFERENCE.
 - EMBOSS CARRIER TAPE PACKAGE IS APPLIED ON THIS PRODUCT. PLEASE REFER TO THE SHEET 2/2 FOR THE RETAILS.

2	PHOSPHOR BRONZE	CONTACT AREA: GOLD 0.76µm min.	5	PET	TOP COVER TAPE			
		LEAD AREA: GOLD 0.03µm min.	4	PS	EMBOSSED CARRIER TAPE			
		UNDER PLATING: NICKEL 1.3µm min.	3	PHOSPHOR BRONZE	SURFACE AREA: GOLD 0.03µm min. UNDER PLATING: NICKEL 1.3µm min.			
1	LCP	BEIGE UL94V-0						
NO.	MATERIAL	FINISH . REMARKS	NO.	MATERIAL	FINISH . REMARKS			
UNITS mm		SCALE 4 : 1	COUNT	DESCRIPTION OF REVISIONS		DESIGNED	CHECKED	DATE
HIROSE ELECTRIC CO., LTD.		APPROVED : HS. OKAWA	13.10.10	DRAWING NO.		EDC3-151987-25		
		CHECKED : HT. YAMAGUCHI	13.10.10	PART NO.		FX10A-168S-SV(85)		
		DESIGNED : YJ. ASAO	13.10.10	CODE NO.		CL570-0244-7-85		
		DRAWN : YJ. ASAO	13.10.10					

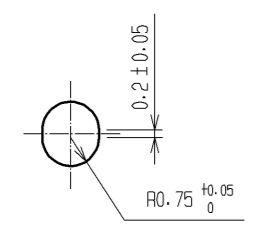
DRAWING FOR PACKING(2:1)



REELED DIMENSION(FREE)



A (5:1)



- NOTES
- 1 1REEL:250 CONNECTORS.
 - 2 MINIMUM 10 COMPARTMENTS FROM BOTH REEL ENDS REMAIN EMPTY.
 - 3 THIS PRODUCT HAS NO POLARITY TO TAPE AND REEL PACKAGING.
 - 4 THE DIMENSIONS IN PARENTHESES ARE FOR REFERENCE.

HRS	DRAWING NO.	EDC3-151987-25	2/2
	PART NO.	FX10A-168S-SV(85)	
	CODE NO.	CL570-0244-7-85	