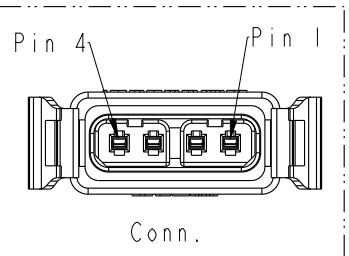
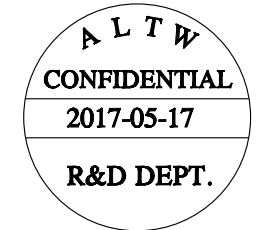
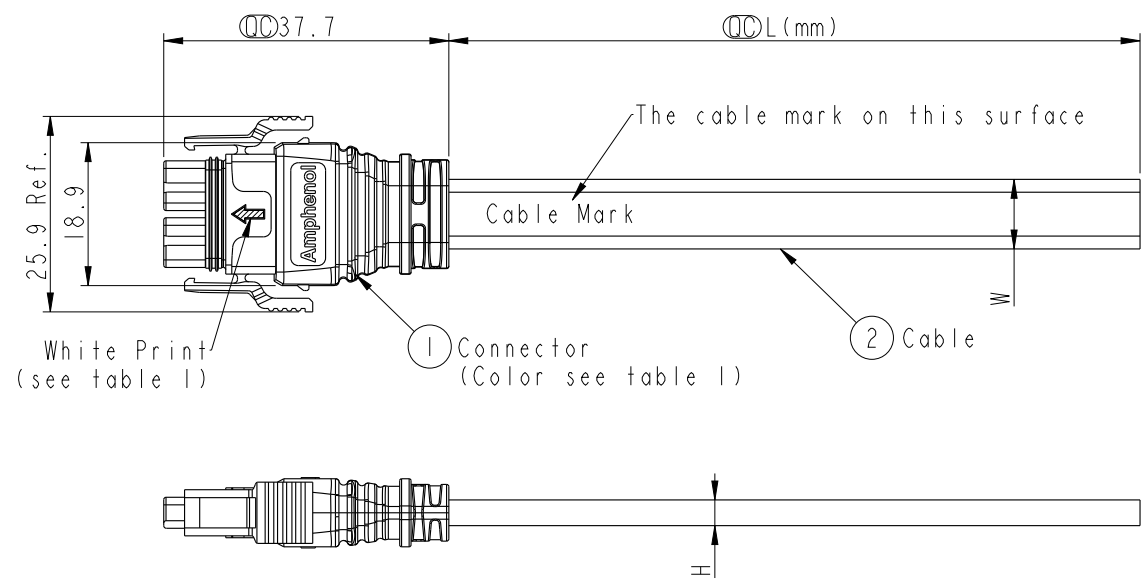
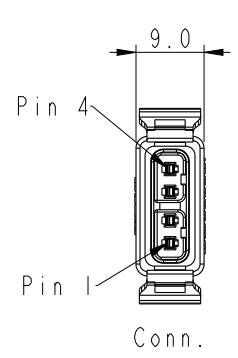


THIS DOCUMENT IS SUBJECT TO CHANGE WITHOUT NOTICE. IT IS CONFIDENTIAL AND A PROPERTY OF Amphenol LTW. DISCLOSURE TO THIRD PARTY HAS TO BE AUTHORIZED BY Amphenol LTW.

REV.	ECN NO.	DATE	SIGN	DESCRIPTION
A	Initial Release	2017-05-17	Fisher Wang	Rev. 01 to A

Table 1:

P/N.	connector	Cable	White Print
SSL12-P4LP0-MXXFFX	White	White	Without
SSL12-P4LP0-MXXHXX	Black	Black	With



SSL12-P4LP0-MXX X XX

XX: 1M~99M
 01: 1M
 02: 2M
 ...
 99: 99M

F: White
 H: Black

18: 18AWG(W=9.2,H=3.4)
 20: 20AWG(W=8.5,H=3.2)

Cable Length Tolerance:

01M: ±40mm
 02M~06M: ±60mm
 06M~10M: ±100mm
 11M~30M: ±200mm
 31M~99M: ±500mm

- Notes:
- * Ⓞ Important Dimension To Check.
 - * Current Rating:5A
 - * Voltage Rating:300V DC/AC
 - * Waterproof Rate:IP68(mating)
1M Depth Of Water In 24 Hours.
 - * Housing: Thermoplastic, UL94V-0,
color see table 1.
 - * Terminal:Copper Alloy, Gold Plated.
 - * Gasket:Silicone, Gray.
 - * Seals: Silicone, Gray.
 - * Cable:UL21996, Flat Cable, UV Resistance,
color see table 1.
 - * Temperature Range: -40~+105℃

4	Yellow	黃
3	Orange	橙
2	Red	紅
1	Brown	棕
Conn	Wire Color	
Pin Out		

UNIT:mm	
TOLERANCE	
±0.5mm	

TITLE SSL1.2 4P, PLUG CONN+FLAT CABLE			
SCALE 1:1	SIZE A4	SHEET 1 OF 1	
REV. A	WC-REV. A.3	Ⓞ: Inspection item	

Amphenol LTW
 安費諾亮泰企業股份有限公司

ITEM NO	DRAWN BY Fisher Wang	DATE 2017-05-17
DWG NO SSL12-P4LP0-MXXXXX	CHECKED BY Victor Hung	DATE 2017-05-17
CUSTOMER ALTW	APPROVED BY Kevin Hu	DATE 2017-05-17