

PART
NAME

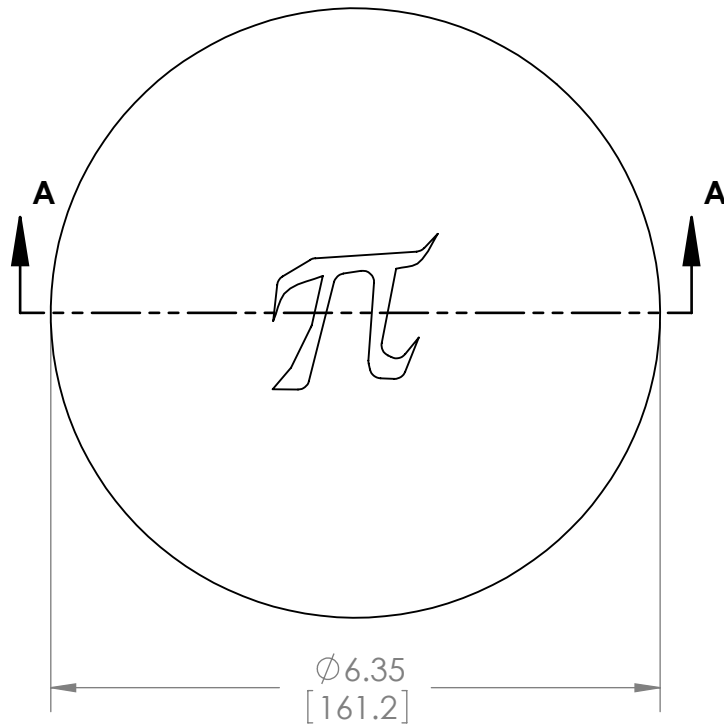
PI PLATE

PART
No.

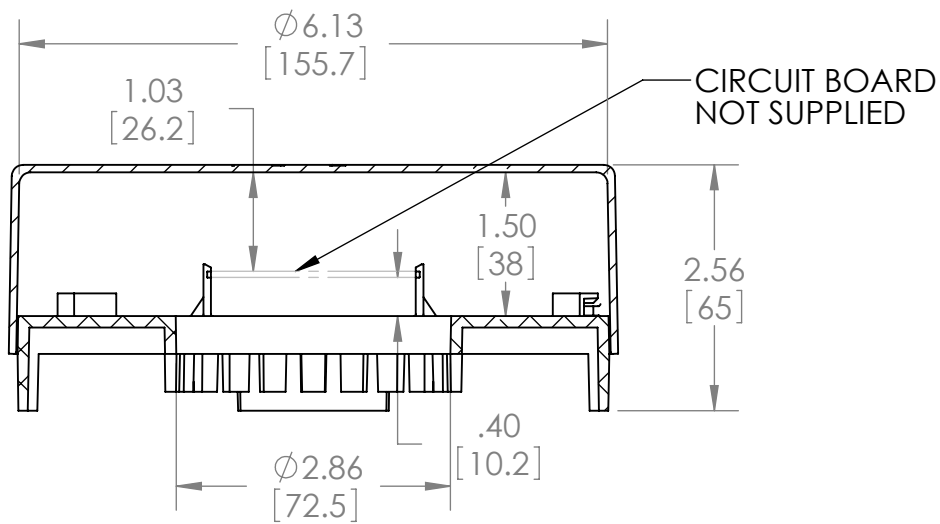
PP-11593

REV.
DATE

4-18-12



MATERIAL: TRANSLUCENT ABS
COLOR: RASPBERRY RED



SECTION A-A