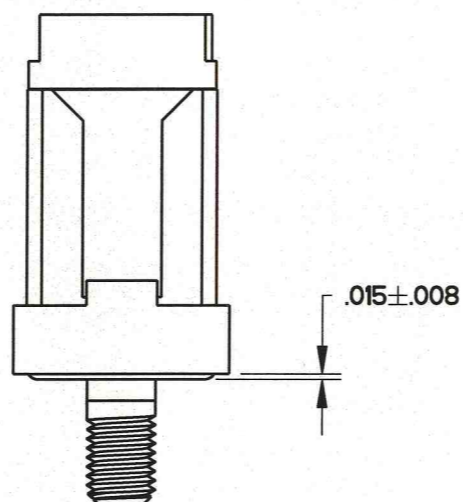
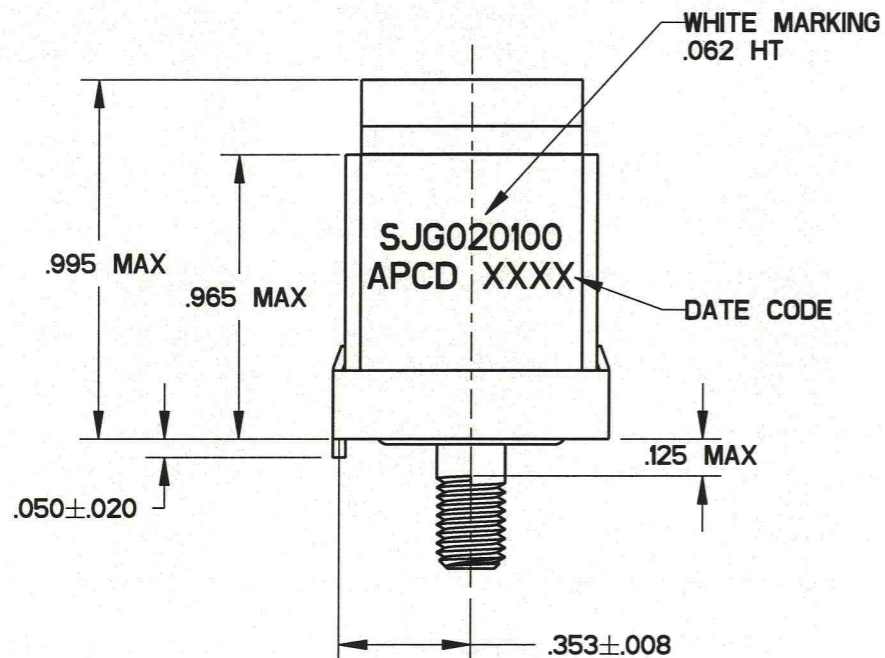
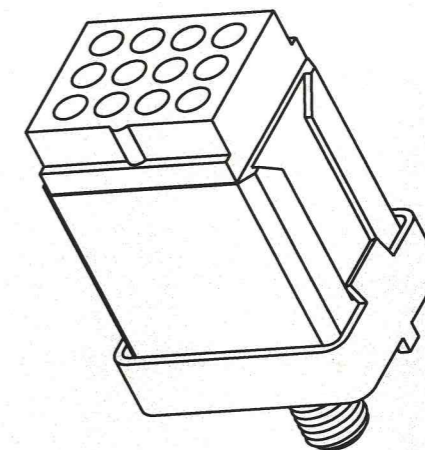
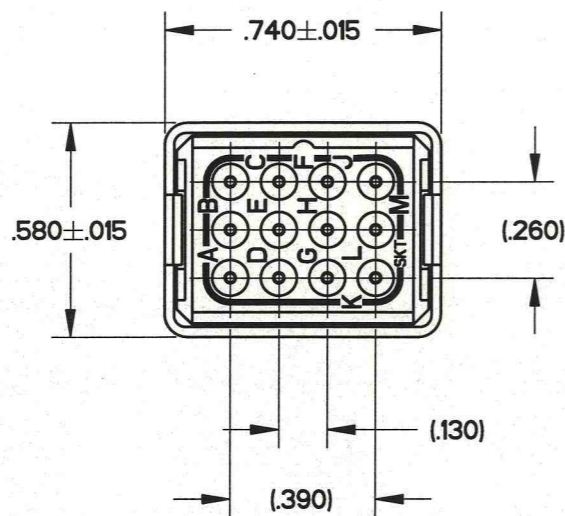


SJG020100

REV	ECN	APP'D
L	5839	JT 4/16/06
M	6229	JTC 6/23/08



- NOTES:
- MATERIALS:  
 BODY: POLYETHERIMIDE PER MIL-P-46184.  
 GROMMET: SILICONE BLEND ELASTOMER.  
 CONTACT RETAINERS: STAINLESS STEEL.  
 SHELL/STUD: COPPER ALLOY, TIN PER MIL-T-10727, TYPE 1  
 MOUNTING HARDWARE: STEEL, CADMIUM FINISH PER QQ-P-416
  - PERFORMANCE SPECIFICATIONS:  
 OPERATING TEMP: -65° TO 200°C  
 INSULATION RESISTANCE: 5000 MEGOHMS MIN @ 25°C  
 DIELECTRIC WITHSTANDING VOLTAGE: 1500 VRMS AT SEA LEVEL AND 200 VRMS AT 110,000 FT. ALTITUDE.  
 CURRENT RATING: 7.5 AMPS  
 VIBRATION AND SHOCK: PER MIL-T-81714, PARAGRAPH 3.5.5 AND 3.5.8.
  - MODULE ACCEPTS M39029/22-192 CONTACT AND MS27488-20 SEALING PLUG. (SEE TABLE)

APCD P/N	SUPPLIED		MARKING
	SKTS	PLUGS	APCD PART NO.
SJG020100	13	2	SJG020100
SJG020101	-	-	

HARDWARE / SOCKET CONTACT BOM		
APCD P/N	DESCRIPTION	QTY.
200001201	FLAT WASHER, #10	1
200008251	HEX NUT 10-32 CRS SJG	1
200008301	LOCK WASHER, INT TOOTH, #10	1
CNS070900	M39029/22-192 CONTACT SZ 20/20	13
CNA032401	SEALING PLUG, SZ 20, RED	2

<b>DIMENSIONS</b> ANSI Y14.5M UNITS: INCHES Pro/E FILE	<b>TOLERANCES</b> .XX ±0.01 .XXX ±0.005 ANGLES ±2.0°	<b>PROJECTION</b> 	<b>Amphenol Pcd</b> SPECIFICATION DRAWING			<b>TITLE</b> SJG, SIZE 20 GROUNDING MODULE TIN PLATED		
			ENGR R. SWAINE 03/15/06	CHKD 6/23/08	APPD 6/23/08	SIZE <b>B</b>	DWG NO. <b>SJG020100</b>	REV <b>M</b>



THIS DOCUMENT CONTAINS PROPRIETARY INFORMATION WHICH IS THE CONFIDENTIAL PROPERTY OF AMPHENOL PCD, BEVERLY, MA

SJG020100

SJG020100