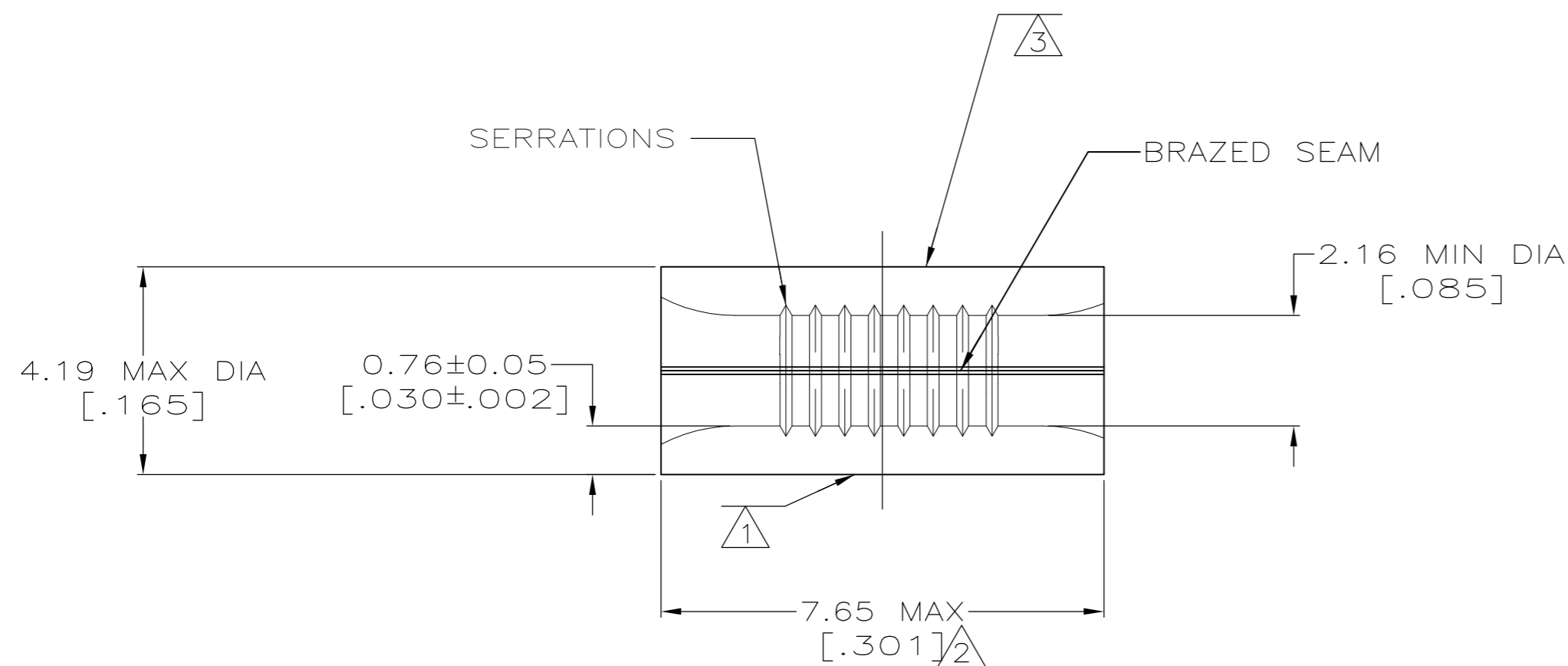


THIS DRAWING IS UNPUBLISHED. RELEASED FOR PUBLICATION
 © COPYRIGHT BY TYCO ELECTRONICS CORPORATION. ALL INTERNATIONAL RIGHTS RESERVED.

LOC	DIST	REVISIONS			
P	LTR	DESCRIPTION	DATE	DWN	APVD
G	14	G2	REV PER ECR 10-007551	09APR10	JR TM

AMP
WIRE RANGE

16-14 AWG
SOLID OR STRANDED



- 1 STAMP "AMP 16-14 2 1/2-4" APPROX AS SHOWN
- 2 MAXIMUM LENGTH DOES NOT INCLUDE MANUFACTURING TABS
- 3 WIRE BARREL COLOR CODED ORANGE TO DENOTE NICKEL MATERIAL
- 4 NO COLOR CODING
- 5 NICKEL PER ASTM B-162, ANNEALED

1000	LOOSE PIECE	4	1-322347-0
1000	LOOSE PIECE	3	322347
QTY	PACKAGE TYPE	PART NO.	

CUSTOMER SERVICE SYSTEMS		MAX RECOMMENDED OPERATING TEMPERATURE: 649°C MAX		THIS DRAWING IS A CONTROLLED DOCUMENT.		DWN TA BRINKMAN 4-19-93		Tyco Electronics Corporation Harrisburg, PA 17105-3608	
FOR ADDITIONAL PRODUCT INFORMATION OR COPIES OF DRAWINGS AND TECHNICAL DOCUMENTS		PRODUCT INFORMATION CENTER 1-800-522-6752		DIMENSIONS: MM [INCHES]		CHK DA PATTERSON 4-19-93			
FOR APPLICATION		TOOLING ASSISTANCE CENTER 1-800-722-1111		VOLTAGE RATING: N/A		APVD JL MECKLEY 4-19-93		NAME	
TOOLING INFORMATION		1-800-722-1111		CIRCULAR MIL AREA: 1.04-2.62mm² [2,050-5,180] SOLID OR STRANDED		TOLERANCES UNLESS OTHERWISE SPECIFIED: 0 PLC ± - 1 PLC ± - 2 PLC ± - 3 PLC ± - 4 PLC ± - ANGLES ± -		PRODUCT SPEC	
FOR ORDER ENTRY		1-800-526-5142		MATERIAL - 5		FINISH -		APPLICATION SPEC	
THIS DRAWING IS A CONTROLLED DOCUMENT FOR AMP INCORPORATED. IT IS SUBJECT TO CHANGE AND THE CONTROLLING ENGINEERING ORGANIZATION SHOULD BE CONTACTED FOR THE LATEST REVISION.								SPLICE, PARALLEL, HIGH TEMPERATURE, STRATO-THERM	
								SIZE CAGE CODE DRAWING NO RESTRICTED TO	
								A2 00779 C-322347 -	
								WEIGHT -	
								CUSTOMER DRAWING SCALE 10:1 SHEET 1 of 1 REV G2	