



USB to TTL Converter (CP210)

SKU:TEL0010



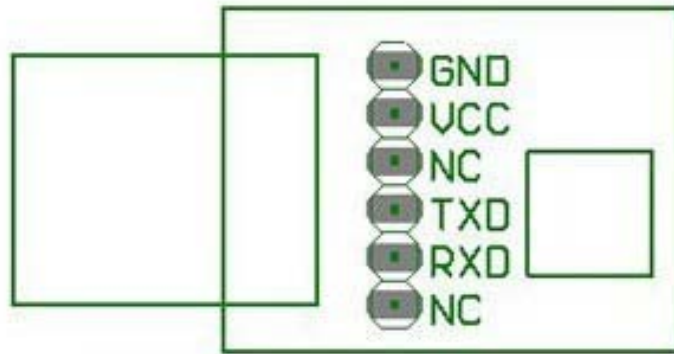
INTRODUCTION

This USB to TTL converter combine the USB-232-1 (USB to Single RS232 Adapter) and TTL-232-1 (Port-powered RS232/TTL converter) allows you to convert USB to TTL/CMOS compatible levels and vice versa.

It can be used to set up APC220 RF wireless module.

It can be used as STC microcontroller program downloader.

The PCB color may vary and not the same as shown in the picture.



SPECIFICATION

- Voltage: 5V
- Chip: Silicon Laboratories CP210x

SHIPPING LIST

- USB to TTL Converter (CP210) x1