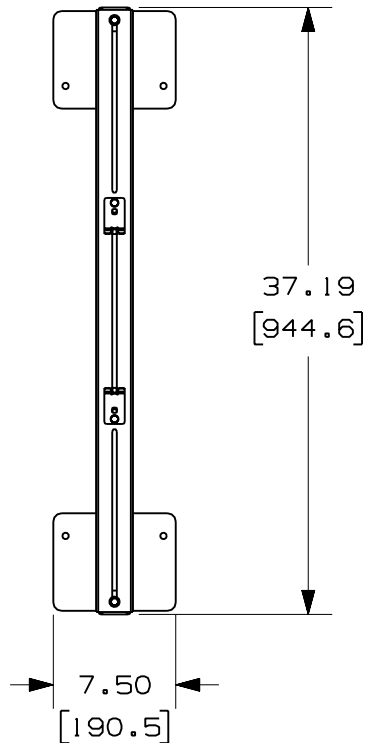


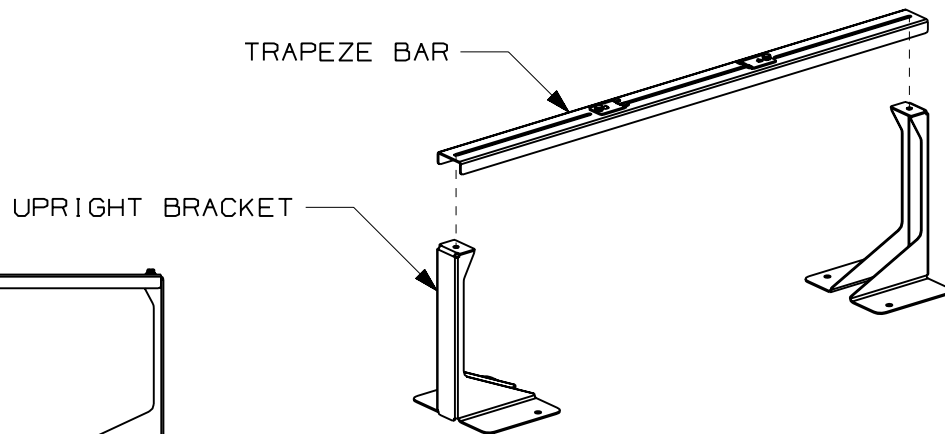
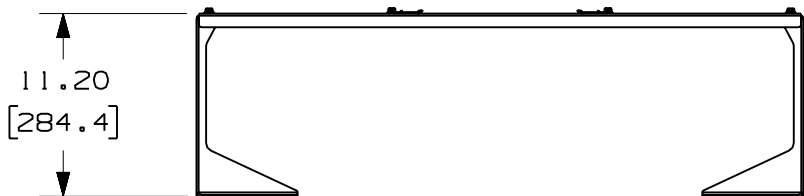
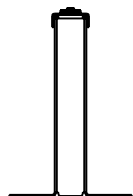
THIS COPY IS PROVIDED ON A RESTRICTED BASIS AND IS NOT TO BE USED IN ANY WAY DETRIMENTAL TO THE INTERESTS OF PANDUIT CORP.



PANDUIT PART NUMBER	WEIGHT
CRTB	7.57 LB/EA (3431g/EA)

NOTES:

- SEE CURRENT CATALOG FOR ADDITIONAL PART SUFFIXES TO INDICATE PACKAGE QUANTITY.
- THE NET-ACCESS OVERHEAD CABLE ROUTING TRAPEZE BRACKET INCLUDES:
TWO (2) UPRIGHT BRACKET ASSEMBLIES,
ONE (1) TRAPEZE BAR ASSEMBLY,
TWO (2) 1/4-20x5/8 HEX HEAD CAP SCREWS,
TWO (2) 1/4 HELICAL SPRING LOCKWASHERS,
TWO (2) 1/4 SAE FLAT WASHERS
- FINISH COLOR: BLACK (EXCEPT FOR HARDWARE)
- DIMENSIONS IN PARENTHESES ARE IN METRIC.



ENG. REF.: D39503CN_DC/00 CRTB

CAD FILENAME/LAYERS CRTB.pdf

REV	DATE	BY	CHK	DESCRIPTION	ECN	R	CUST	SUP	GMBH
R	1-10-08	MSO	SL	RELEASED TO PRODUCTION	39503-17	RN	RN		

PANDUIT CORP TINLEY PARK, ILLINOIS

NET-ACCESS OVERHEAD CABLE ROUTING TRAPEZE BRACKET (CRTB)
CUSTOMER DRAWING

UNLESS OTHERWISE SPECIFIED, DIMENSIONAL TOLERANCES ARE:
(.X) ± (.XXX) ±
(.XX) ± .03 (.8) ANGLES ±

UNLESS OTHERWISE SPECIFIED, ALL DIMENSIONS ARE GIVEN IN INCHES, THIRD ANGLE PROJECTION.

DRAWN BY: MSO DATE: 1-10-08
MATERIAL: STEEL

SCALE: NONE
DRAWING NO.: 39503-17 DWG SIZE: A