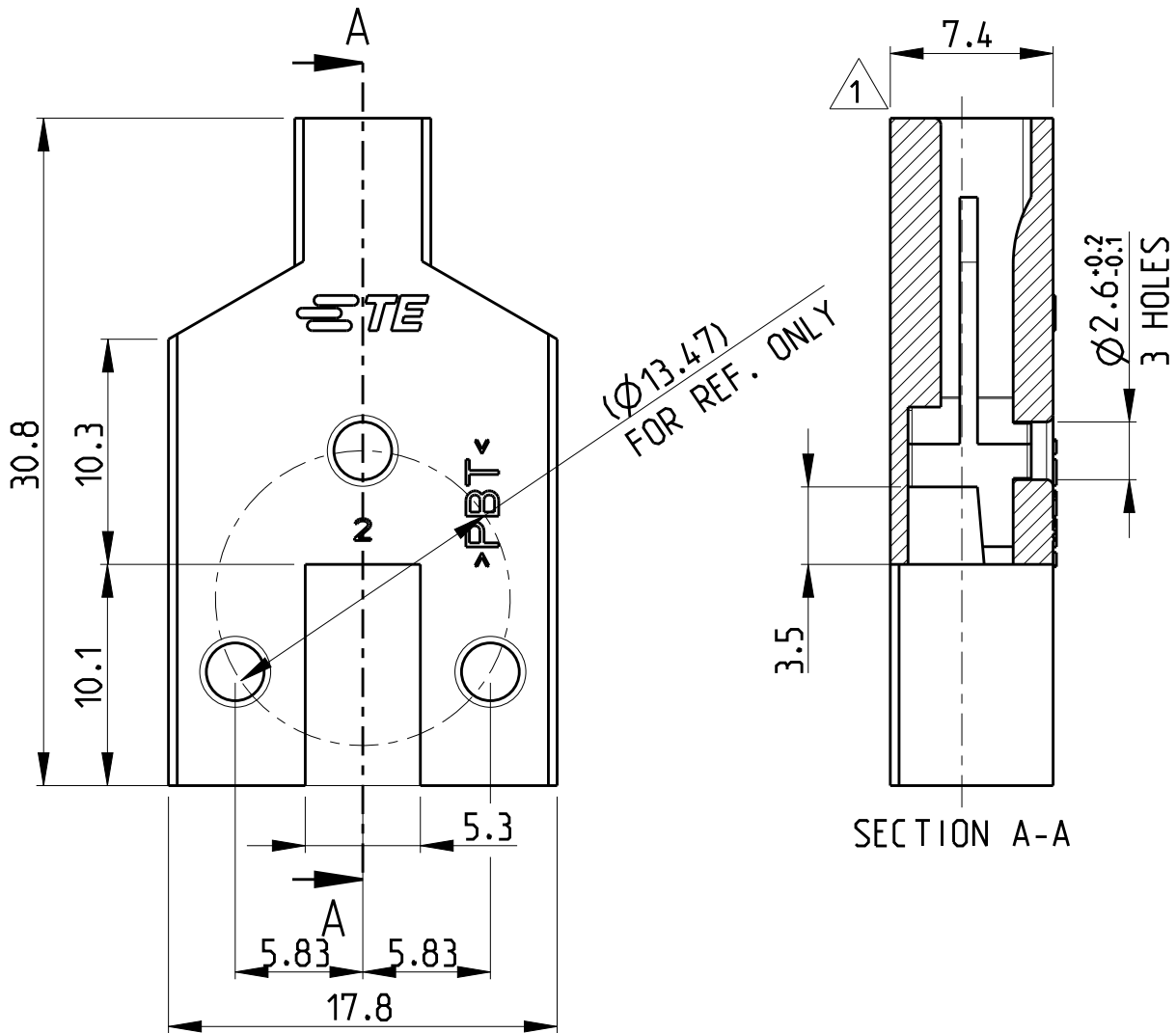


| LOC | DIST | REVISIONS | | | |
|-----|------|------------------------------|-----------|-----|------|
| P | LTR | DESCRIPTION | DATE | DWN | APVD |
| A1 | - | | | | |
| | C5 | REVISED AS PER ECR-14-018593 | 12DEC2014 | MKD | RRP |
| | C6 | REVISED AS PER ECR-15-004469 | 01APR2015 | MKD | RRP |



- 1 3 TYPICAL CAVITY SUITABLE FOR RECEPTACLE PN 62131-5 AND 2178453-1
- 2 OBSOLETE
- 3 MATERIAL ACCORDING TO UL94 V0
- 4 PRELIMINARY

| | | |
|---------|--------------------|--|
| YELLOW | PBT GF20 | 235280-6 |
| BLACK | PBT GF30 | 235280-5 |
| NATURAL | PBT GF30 (UL94 V0) | 235280-3 3 |
| NATURAL | PBT GF20 | 235280-1 |
| COLOUR | MATERIAL | PART NO |

THIS DRAWING IS UNPUBLISHED.
 ALL RIGHTS RESERVED.
 COPYRIGHT

| | | | |
|--|-------------------------------|---|--------------------|
| DIMENSIONS: mm | DWN DHANESH 12DEC2011 | MATERIAL SEE TABLE | FINISH - |
| TOLERANCES UNLESS OTHERWISE SPECIFIED: | CHK DHANESH 12DEC2011 | TE Connectivity | |
| 0 PLC ±0.3 1 PLC ±0.3 2 PLC ±0.2 3 PLC ±- 4 PLC ±- ANGLES ±1° | APVD RAJENDRA 12DEC2011 | | |
| | PRODUCT SPEC - | NAME CLUSTER BLOCK HSG 2.29mm DIA | |
| | APPLICATION SPEC - | SIZE A4 | CAGE CODE 00779 |
| | WEIGHT - | DRAWING NO C-235280 | RESTRICTED TO - |
| Customer Drawing | | SCALE 3:1 | SHEET 1 OF 1 |
| | | | REV C6 |