

4

3

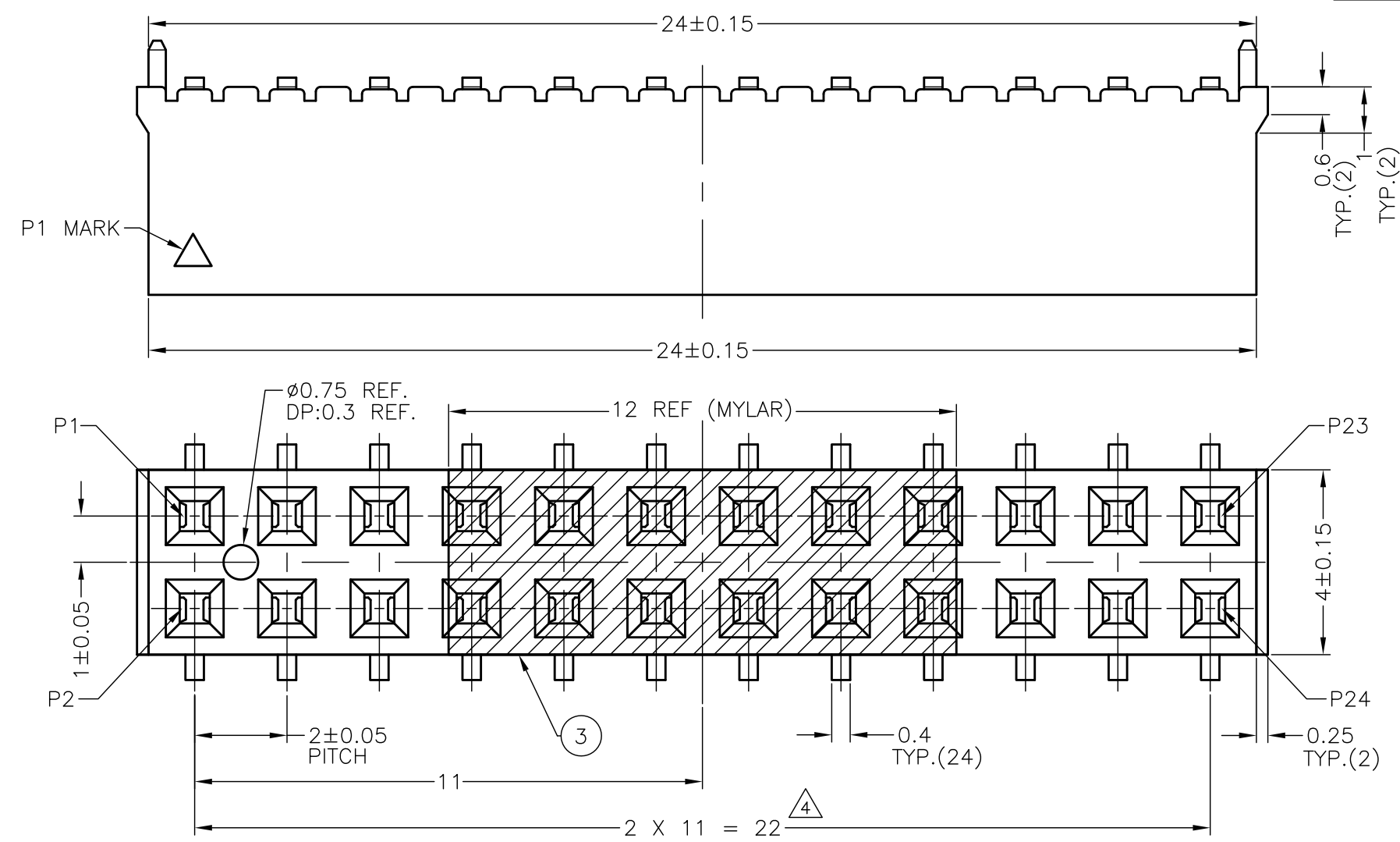
2

1

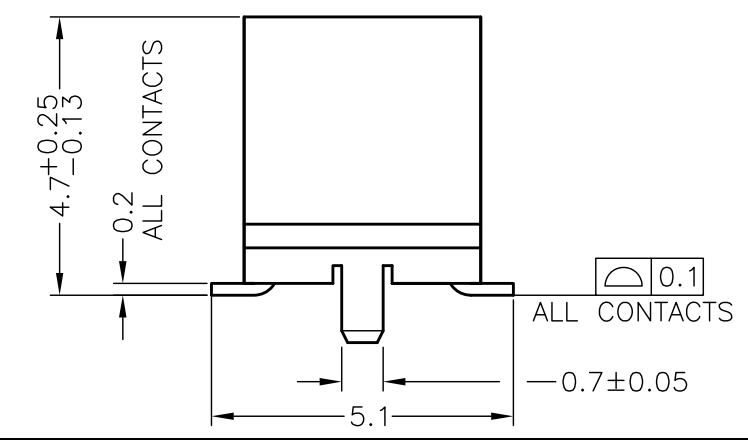
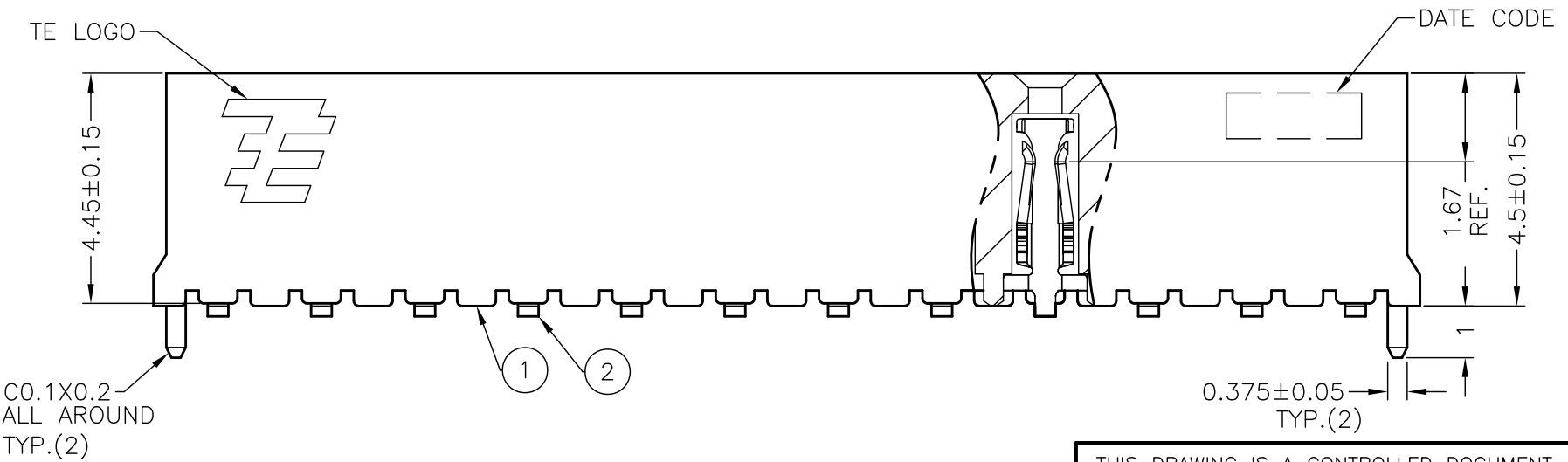
THIS DRAWING IS UNPUBLISHED. RELEASED FOR PUBLICATION
 © COPYRIGHT - By - ALL RIGHTS RESERVED.

LOC	DIST	REVISIONS					
DW		P	LTR	DESCRIPTION	DATE	DWN	APVD
		B1		REVISED (ECR-11-017441)	22AUG2011	S.Y	H.K

2023523-1: AS SHOWN



NOTE:
 ① MATERIAL: ① HOUSING: HIGH TEMP. THERMOPLASTIC (LCP), WITH G/F, UL 94V-0, COLOR: BLACK.
 ② CONTACT: COPPER ALLOY.
 ③ PICK-AND-PLACE TAPE : POLYIMIDE FILM.
 ② FINISH: AU 0.762um [30u"] MIN. AT THE CONTACT AREA. MATT TIN 2.54um[100u"] MIN. AT THE SOLDER TAIL AREA. NI 1.27 [50u"] MIN. UNDER PLATED OVERALL.
 ③ REFLOW SOLDER CAPABLE TO 260°C PER TE TEST SPEC. 109-201, CONDITION B.
 4. NO ACCUMULATIVE TOLERANCES.



THIS DRAWING IS A CONTROLLED DOCUMENT.		DWN	S. YANG	20JAN2010	 TE Connectivity	NAME	AMPMODU 2.00mm PITCH DUAL ROW REC. SMT-TYPE CONN.					
DIMENSIONS: mm		CHK	M. CHAO	20JAN2010			PRODUCT SPEC	APPLICATION SPEC	SIZE	CAGE CODE	DRAWING NO	RESTRICTED TO
TOLERANCES UNLESS OTHERWISE SPECIFIED: 8 PLC ± 1 PLC ± ±0.25 2 PLC ± ±3 3 PLC ± ±3 4 PLC ± ± ANGLES ± ±		APVD	H. KODAMA	20JAN2010					108-99023	A3	00779	C-2023523
MATERIAL ①		FINISH ②		WEIGHT			0.7 g	CUSTOMER DRAWING	SCALE	8:1	SHEET	1 of 3

4

3

2

1

THIS DRAWING IS UNPUBLISHED.

RELEASED FOR PUBLICATION

ALL RIGHTS RESERVED.

© COPYRIGHT - By -

LOC

DIST

REVISIONS

DW

P

LTR

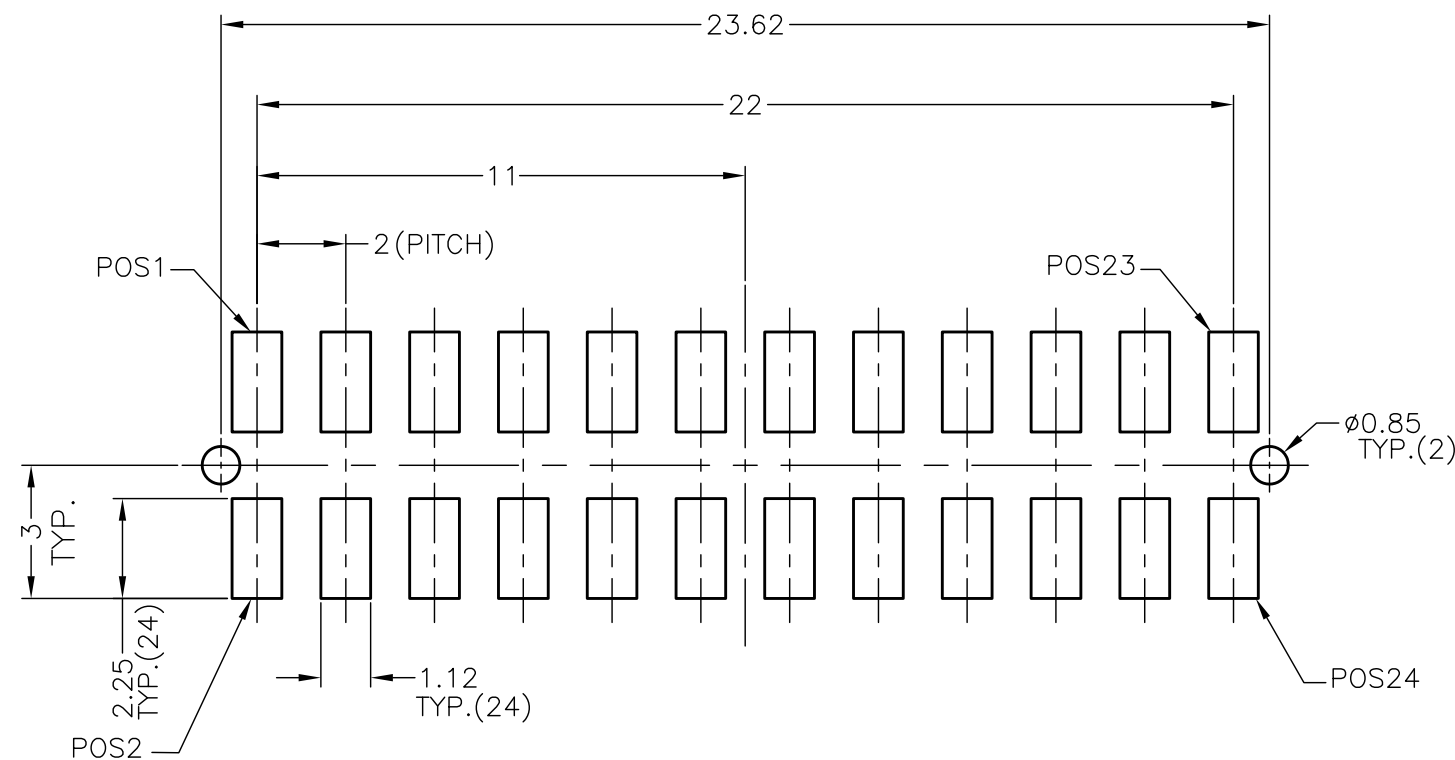
DESCRIPTION

DATE

DWN

APVD

SEE SHEET 1



RECOMMENDED PCB LAYOUT
TOLERANCE ±0.05

THIS DRAWING IS A CONTROLLED DOCUMENT.		DWN	TE Connectivity	
DIMENSIONS: mm		CHK		
		APVD	NAME AMPMODU 2.00mm PITCH DUAL ROW REC. SMT-TYPE CONN.	
TOLERANCES UNLESS OTHERWISE SPECIFIED: 0 PLC ± 0.25 1 PLC ± 0.25 2 PLC ± 0.25 3 PLC ± 3° 4 PLC ± 0.25 ANGLES ±		PRODUCT SPEC	SIZE CAGE CODE DRAWING NO RESTRICTED TO	
MATERIAL		APPLICATION SPEC	A3 00779 2023523	
FINISH		WEIGHT	SCALE SHEET REV	
		CUSTOMER DRAWING	6:1 2 OF 3 B1	

4

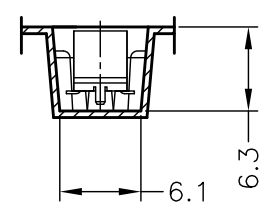
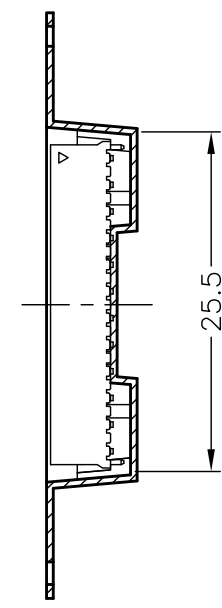
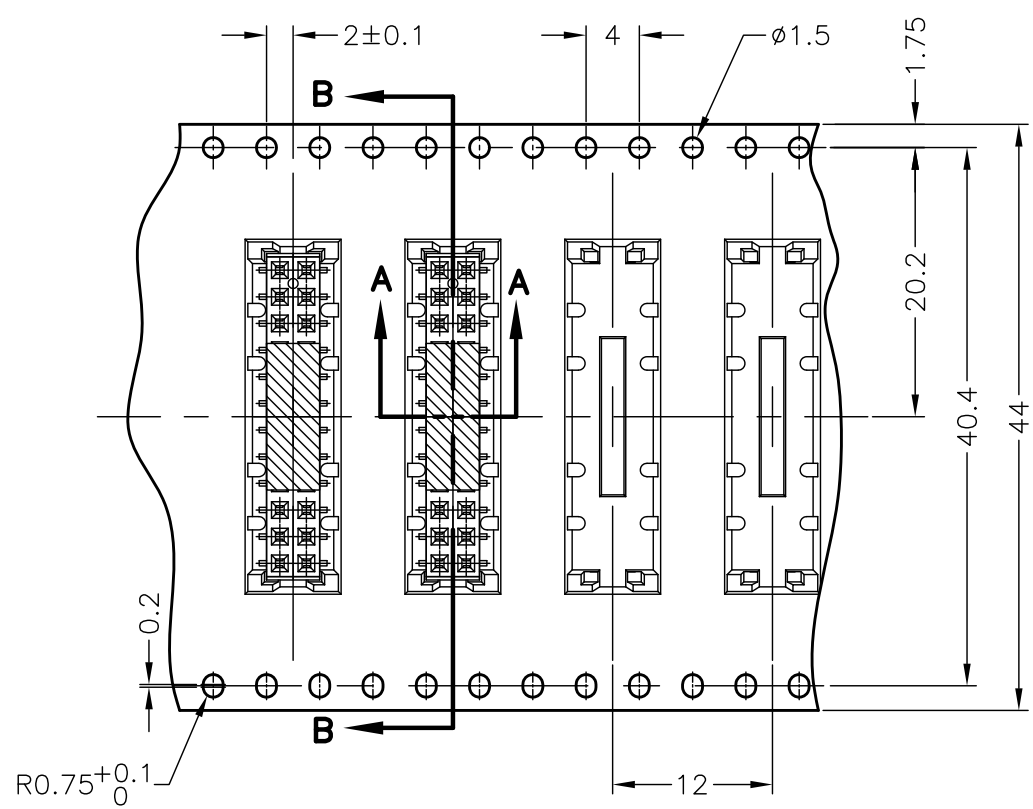
3

2

1

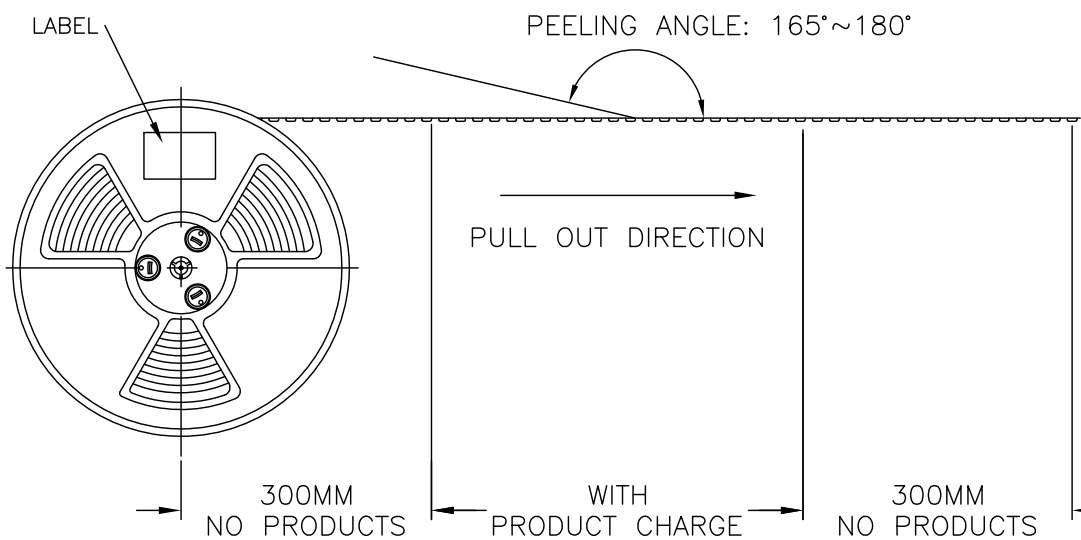
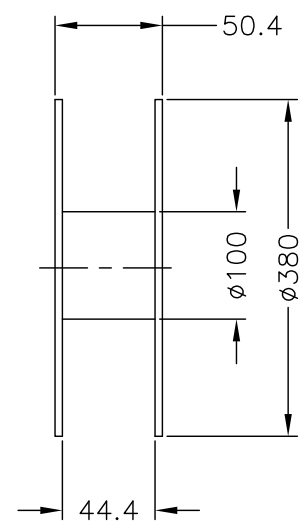
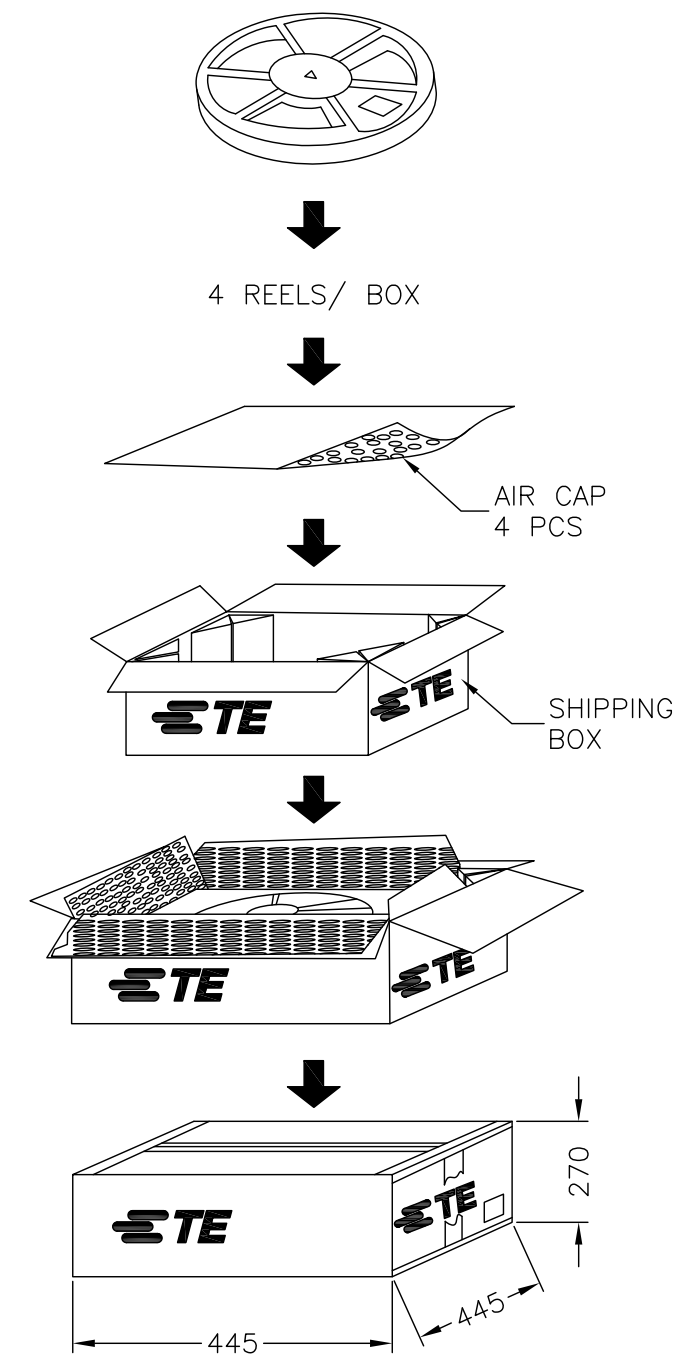
THIS DRAWING IS UNPUBLISHED. RELEASED FOR PUBLICATION
 © COPYRIGHT - By - ALL RIGHTS RESERVED.

LOC	DIST	REVISIONS			
P	LTR	DESCRIPTION	DATE	DWN	APVD
DW	/	SEE SHEET 1			



B-B

A-A



7.35	2.8	4000	1000	4
KG/GROSS WEIGHT	KG/NET WEIGHT	PCS/BOX	PCS/ REEL	REEL/ SHIPPING BOX

THIS DRAWING IS A CONTROLLED DOCUMENT.

DIMENSIONS: mm	TOLERANCES UNLESS OTHERWISE SPECIFIED: 6 PLC ± 1 PLC ±- 0.25 2 PLC ±- ±3° 3 PLC ±- 4 PLC ±- ANGLES ±-	DWN CHK APVD PRODUCT SPEC APPLICATION SPEC WEIGHT CUSTOMER DRAWING	TE Connectivity NAME AMPMODU 2.00mm PITCH DUAL ROW REC. SMT-TYPE CONN.	
MATERIAL PS	FINISH	SIZE A3	CAGE CODE 00779	DRAWING NO 2023523
SCALE FREE			SHEET 3 of 3	REV B1