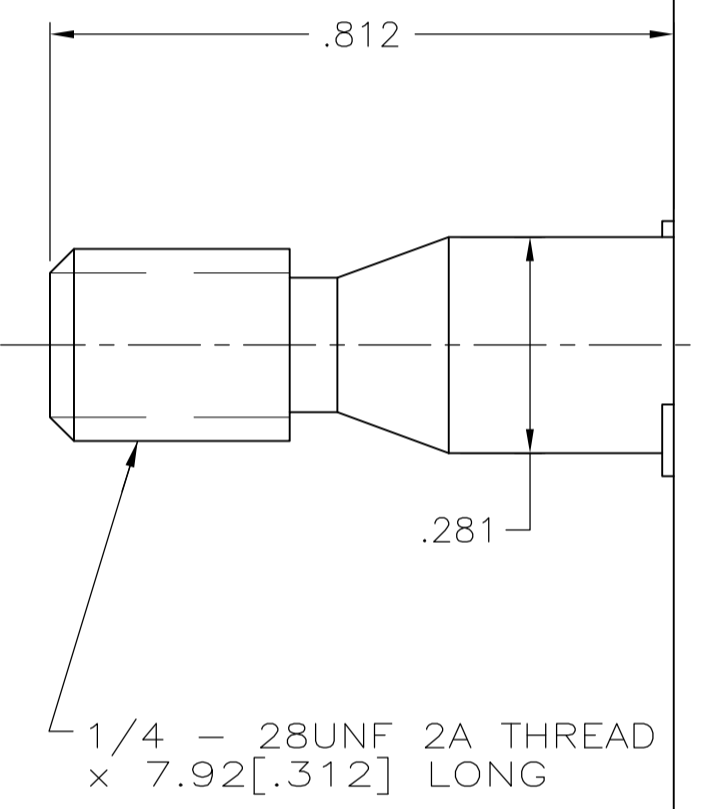


MATING FACE

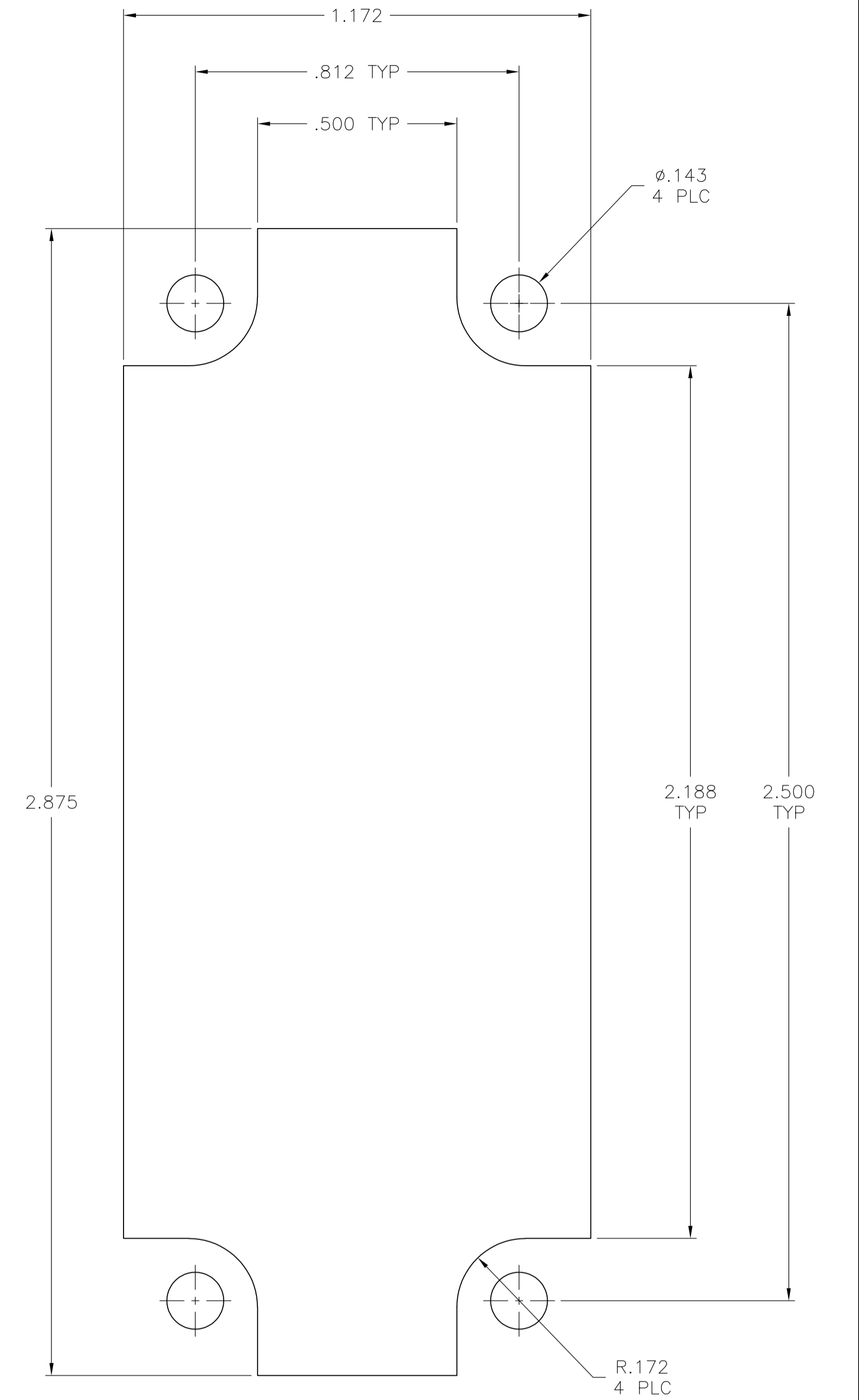
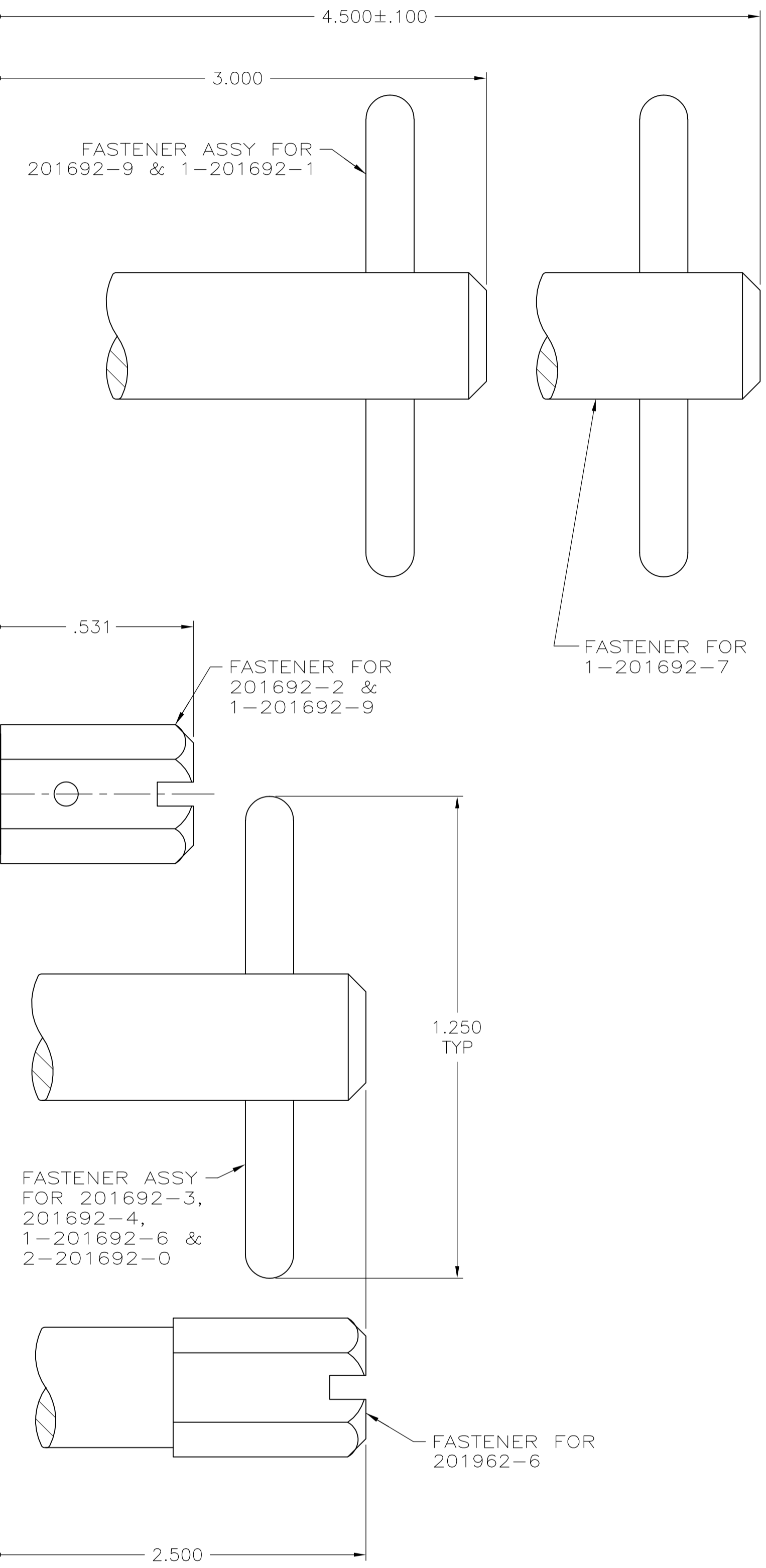
MOLDED CHARACTERS BOTH SIDES

.150 TYP

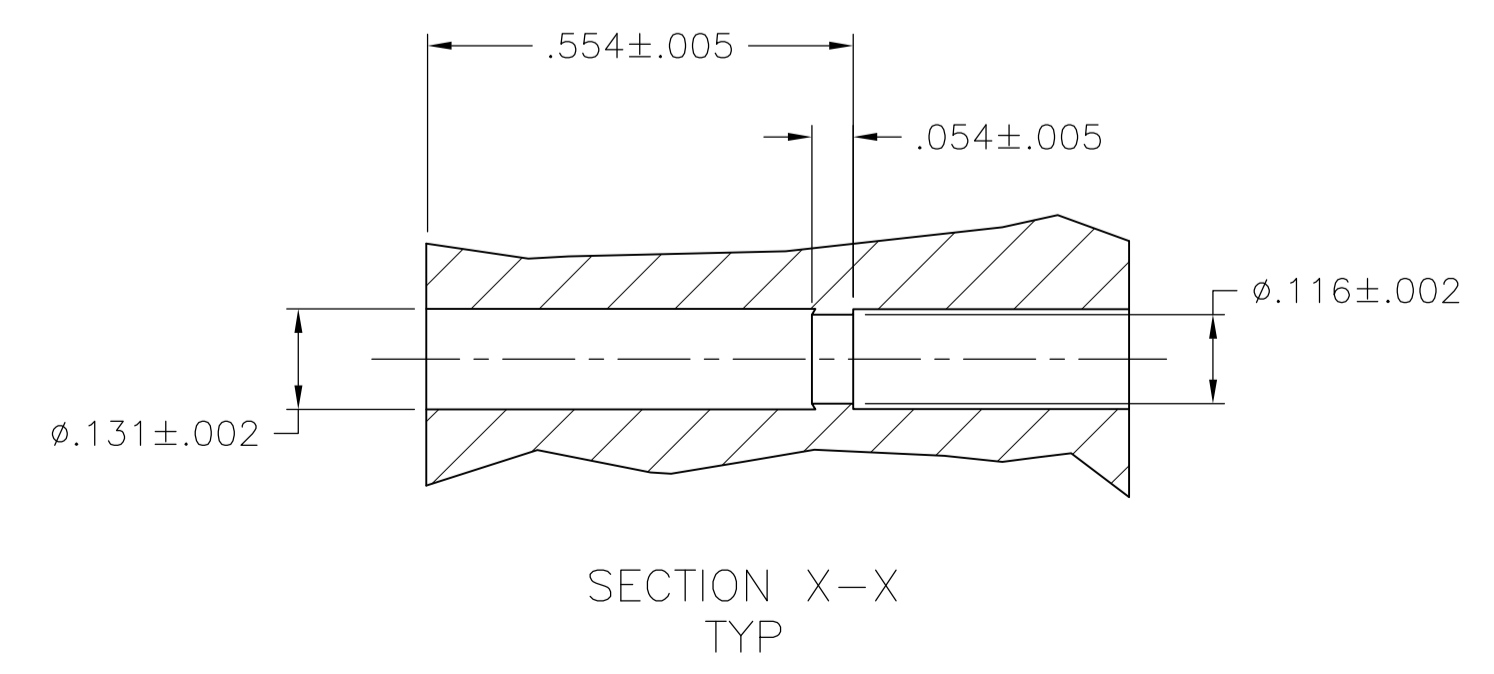
.075 TYP



AMP, PART NUMBER & DATE CODE IN THIS AREA



PANEL CUT-OUT DETAIL



- 1 PHENOLIC PER MIL-M-14F, TYPE MFH, BLACK.
- 2 DIALLYL PHTHALATE PER MIL-M-14F, TYPE SDG-F, BLUE.
- 3 VALOX 420 SEO.
- 4 ACCOMMODATES TYPE II OR TYPE III SIZE #16 SOCKET CONTACTS.
- 5 STAINLESS STEEL.
- 6 FOR MATING BLOCK SEE CUSTOMER DRAWING 201532.

1	2-201692-0
3	1-201692-9
1	1-201692-7
3	1-201692-6
1	1-201692-1
2	201692-9
1	201692-6
1	201692-4
2	201692-3
1	201692-2
BLOCK MATERIAL	PART NUMBER

THIS DRAWING IS A CONTROLLED DOCUMENT.

DIMENSIONS: INCHES	TOLERANCES UNLESS OTHERWISE SPECIFIED:	0 PLC ± -	1 PLC ± -	2 PLC ± 0.38[.015]	3 PLC ± -	4 PLC ± -	ANGLES ± -	FINISH -
--------------------	--	-----------	-----------	--------------------	-----------	-----------	------------	----------

MATERIAL: BLOCK: SEE TABLE HARDWARE & INSERTS

APPROVED: G.A. STEINHÄUER

DATE: 03 JAN 96

NAME: G.A. STEINHÄUER

PRODUCT SPEC: PLUG BLOCK ASSEMBLY, 104 POSITION, RECTANGULAR M SERIES

SIZE: A1

SCALE: 4:1

SHEET: 1 OF 1

REV: AN2